

适用于机床制造商的高科技部件

High-tech components for machine tool manufacturers.

Hiteco专业设计和制造机床领域使用的高科技工业机电部件。
A.T.C电主轴, M.T.C电主轴, 双向旋转头, 钻头和总成。

Hiteco is specialized in design and manufacture of high technology industrial electromechanical components for machine tools. **A.T.C. electrospindles, M.T.C. electrospindles, birotary heads, boring units and aggregates.**



Hiteco向国际市场推出系列广泛的产品用于加工：**木材, 塑料, 高级材料, 玻璃, 石材和金属。**

Hiteco offers a wide range of products on international market for **wood, plastic, advanced materials, glass, stone and metal processing.**



Hiteco诞生于1977年, 是各类材料加工机床制造领域全球领导者**SCM集团**旗下的一个分部, 自此开始了其指数级的成长之路。2008年, Hiteco成为了**为外部客户市场提供服务的利润中心**。如今其所生产的产品已经成为市场的标杆, 是专业领域中最重要全球巨头之一。

Hiteco founded in 1977 as an internal division of the **SCM Group**, leading company in machine tools construction for processing a wide range of materials, had an increasingly exponential growth. In 2008 it become **a profit unit for external customers**. Today Hiteco offers key products for the components market, becoming one of the most important world players in the sector.

60% 营业额来自外部客户
60% OF TURNOVER FROM EXTERNAL CUSTOMERS

足迹遍及5大洲：直营或分销
DIRECT AND CAPILLARY PRESENCE IN THE 5 CONTINENTS

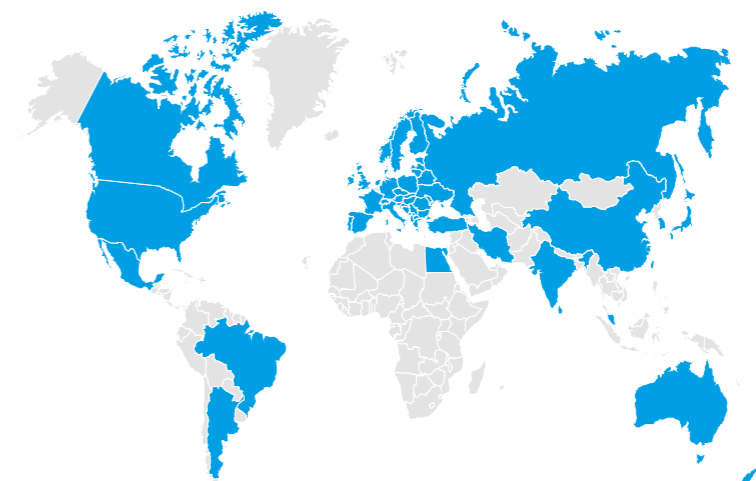
约3000万欧元的营业额
30 MILLION EURO OF TURNOVER

2014-2018年的年增长率 > 25%
ANNUAL GROWTH 2014/2018 > 25%

HITECO 的数字。
Hiteco in numbers.

销售网络遍布全球, 提供一流的服务

A capillary presence for a best-in-class and worldwide service.



分布广泛的网络满足了Hiteco与客户保持密切联系的需求, 在各地派驻了**专业的技术人员**, 保证了极其快速而专业的反应能力: 不仅可以降低停机次数和减少生产中出现的问题, 而且通过提出有效和创新的解决方案来创造附加值。这一优势不仅缩短了交货的时间, 也是Hiteco在国际市场上赢得最高**客户满意度**的原因之一。

The widespread distribution of the company responds to the desire of Hiteco to be close to the customer with the presence of **specialized technicians** on the territory who guarantee an extremely rapid and professional response: not only to reduce machine downtimes and production problems, but also to create added value with the proposal of effective and innovative solutions. Such care, in addition to reduced delivery times, is one of the reason that led Hiteco to have the highest **customer satisfaction** on the international market.



目录 INDEX



Hiteco保留改善目录中所述技术与型号的权利
Hiteco reserves the right to make improvements to the technologies and models presented in the catalog

电主轴识别码 / ELECTROSPINDLE IDENTIFICATION KEY

Example **QE IF 10/TI 24 63F NC CB EN BT OQ IS**

型号 (外壳尺寸) / MODEL (HOUSING DIMENSION)	
QD	102 X 119,5 mm
	110 X 111 mm
QE	130 X 140 mm
QF	150 X 160 mm
QM	215 X 245 mm, 230x230 mm
QX	130 X 130 mm
PX	150 X 150 mm
HX	150 X 150 mm
QT	150 X 150 mm
HT	150 X 150 mm
HD	130 X 130 mm
KX	Ø 202 mm
ML/MA	Ø 158, Ø 166, 135 x 137, 157 x 165
MG	200 X 200 mm
QN	102 X 119,5 mm
MQH1	205 X 175 mm
XS	70 X 65 mm

冷却 / COOLING TYPE	
1F= 电风扇 / ELECTROFAN	
1C= 压缩空气 / COMPRESSED AIR	
2= 液体 /LIQUID	
1= 轴上的风扇 / FAN ON SHAFT	

额定功率 (S1) @ 速度 / RATED POWER (S1) @ SPEED
最大功率 @ 速度 / MAX POWER @ SPEED

最大速度 / MAX SPEED

刀具接口 / TOOL HOLDER
63F = HSK63F
32E = HSK32E
40E = HSK40E
63E = HSK63E
85S = HSK85S
80F = HSK80F
63A = HSK63A
I30 = ISO30
I40 = ISO40
ER25
ER32
ER40
轴 / SHAFT, D=12, 16, 30, 40, 50

主轴鼻 / SPINDLE NOSE
NC= 短鼻 /SHORT NOSE
NL= 长鼻 /LONG NOSE
CH= COMPACT SHORT NOSE
LH= COMPACT LONG NOSE

电气连接 / ELECTRIC CONNECTION
CB= 基本连接 / BASIC CONNECTION
CC= 圆形连接 / CIRCULAR CONNECTION
PP= 快速连接 / PLUG AND PLAY CONNECTION
SC= 无连接器 / FLYING CABLE

ENCODER
ES= ENCODER 1 VPP (SYNUSOIDAL WAVE)
EN= ENCODER TTL (SQUARE WAVE)

电压 / VOLTAGE
BT= 双电压 / DUAL VOLTAGE 220V/380V
220 V

OPTIONAL
OQ=OIL MIST+MQL (Minimal Quantity Lubrication)
AT= AIR TOOL
OM= OIL MIST
CTS= 润滑 CTS/ COOLANT THROUGH THE SHAFT

其他变型 / OTHER VARIANTS	
震动传感器 / VIBRATION SENSOR	
轴承温度监控 / BEARING TEMPERATURE MONITORING	
测速仪 / SPEED MONITORING	
S5 - 活塞返回传感器 / PISTON BACK SENSOR	
温度传感器 / TEMPERATURE SENSOR	
SPINDLE - DIGITAL COMMUNICATION ON FIELDBUS / 主轴 - 现场总线上的数字通信传感器	

功率指数 / POWER INDEX

POWERTECH	POWERTECH 200	POWERTECH 250	POWERTECH 300 COMPACT	POWERTECH 300	POWERTECH 400 HS	POWERTECH 400	POWERTECH 500	POWERTECH 600
POWER @RPM - MAX SPEED								
4/12 24	p. 9		p. 15					
5.5/6 20 (HT)						p. 23		
5.5/12 24			p. 15	p. 17				
6.5/12 36 (HS)		p. 11						
6.5/12 40 (HS)		p. 12						
6.6/12 24				p. 17				
7.5/6 24 (HT)						p. 23		
8/9 18 (HT)							p. 31	
8/12 24				p. 18 - 19				
8/12 28 (HS)					p. 21			
8/12 36 (HS)		p. 11						
8/12 40 (HS)		p. 12						
8.5/6 24 (HT)						p. 24		
8.5/12 24						p. 25		
9/6 24 (HT)						p. 27		
9.5/12 24				p. 19				
10/11 24						p. 25		
11/6 10 (HT)								p. 35
11/6 24 (HT)						p. 27		
11/12 20							p. 32	
12/6 18 (HT)							p. 33	
12/12 24						p. 26		
13/7 15 (HT)							p. 31	
13/12 24						p. 28		
16/12 24						p. 28		
18/6 12 (HT)								p. 35
18/12 20							p. 33	

HS= HIGH SPEED
HT= HIGH TORQUE

功率指数 / POWER INDEX

ROBOTECH	ROBOTECH QX	ROBOTECH QX HS	ROBOTECH PX-HX	ROBOTECH HX 3C	ROBOTECH HD	ROBOTECH QT	ROBOTECH HT	ROBOTECH QM
5.6/18 20					p. 53			
5/12 21	p. 38							
8/15 36 (HS)		p. 41						
8/15 40 (HS)		p. 41						
8.5/12 24	p. 37							
10/7 24 (HT)			p. 45	p. 49				
10/12 24	p. 37							
11/10 24		p. 42						
11/12 24	p. 38							
12/12 24			p. 46	p. 49				
13/7 24			p. 45					
13/6 16 (HT)						p. 55		
15/12 24			p. 46	p. 50				
16/6 16						p. 55		
18/12 24			p. 47	p. 50				
20/10 24			p. 47	p. 51				
25/7 16 (HT)						p. 56		
25/10 24							p. 59	
30/6 13 (HT)								p. 61

METALTECH	METALTECH KX	METALTECH MX
42/6 18 (HT)		p. 65
42/6 24 (HT)		p. 65
42/12 20		p. 66
42/12 28		p. 66
31/3 15	p. 63	
32/4.5 24	p. 63	

STONETECH	STONETECH MG
9/6 15	p. 69
13.5/6 15	p. 69
30/7.5 12	p. 70



ADDITIONAL EQUIPMENT	
C-AXIS FOR POWERTECH 300-400	p. 72
REFERENCE SLEEVE	p. 72
TOOL HOLDER	p. 73
TOOL FINGER	p. 73
HEAT EXCHANGER	p. 73

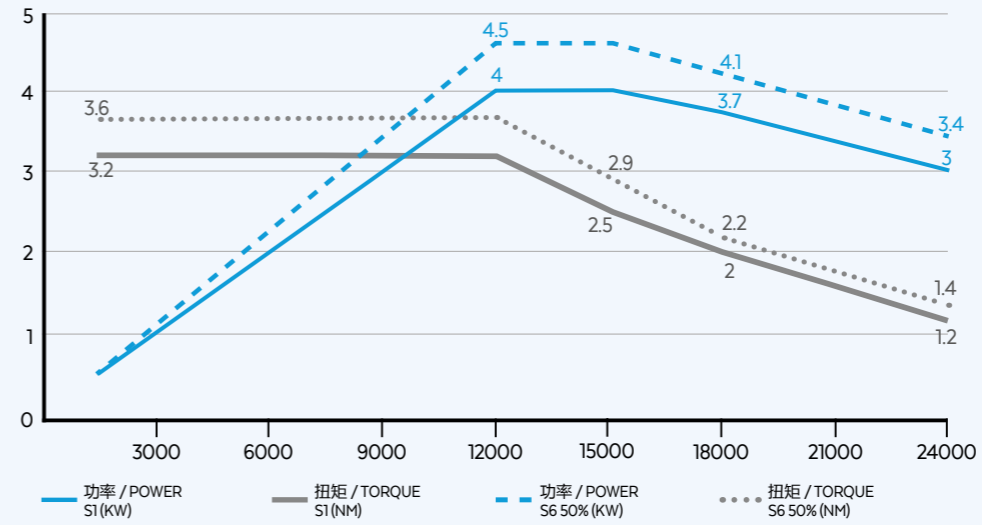
POWERTECH 200



SUITABLE FOR MACHINING WOOD, PLASTICS AND COMPOSITES
 REDUCED SPACE REQUIRED AND FIXING FLEXIBILITY (AVAILABLE ON 2 SIDES)
 AVAILABLE WITH ISO 30, HSK 63F AND DUAL VOLTAGE
 CERAMIC BEARINGS
 EASY MAINTENANCE

QD-1F 4/12 24

性能 / PERFORMANCES



选配 / OPTIONS

- Circular connector CC
- HSK 63F
- Plug & Play
- COM-PRESSED AIR
- Anti-rotation sleeves
- Bearings temperature monitoring
- Speed monitoring
- Vibration sensor
- Dual voltage 220V-380V

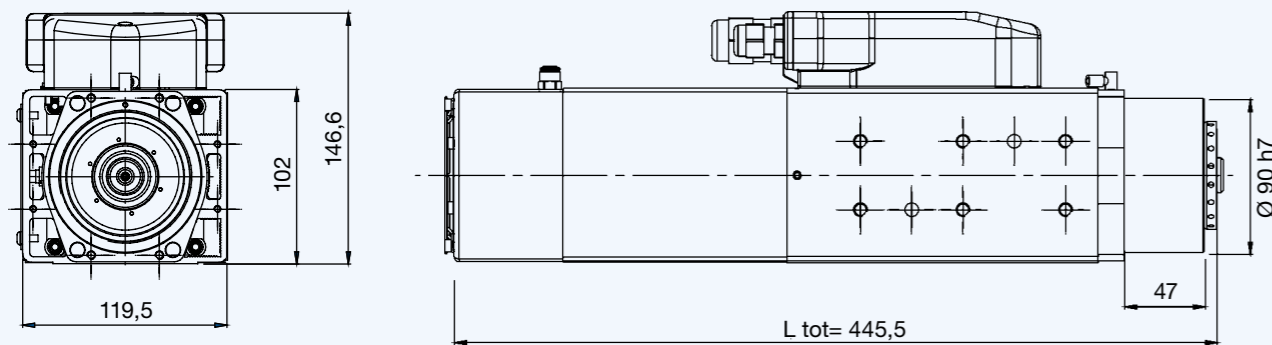
技术规格 / TECHNICAL SPECIFICATIONS

- S1-S6 kW 4/4.5
- S1-S6 A 9/10.7
- Pol es 4
- S1-S6 Nm 3.2/3.6
- Volt 380
- Supply inverter
- rpm 24000
- kg 18

器材 / EQUIPMENT

- ISO 30
- Ceramic ball bearings
- Labyrinth with air seal
- Electrofan cooling
- Grease lubrication
- Double effect pneumatic cylinder
- Sensors s1, s2, s3
- Automatic tool change (A.T.C)
- Taper cleaning

LAYOUT HSK 63F CB



其他布局 / OTHER LAYOUTS

	ΔL	L tot
ISO 30	+6,9 mm	452,40 mm
压缩空气 / Compressed air	ISO30= -29,1 mm	416,4 mm
	HSK63F= -36,0 mm	409,5 mm

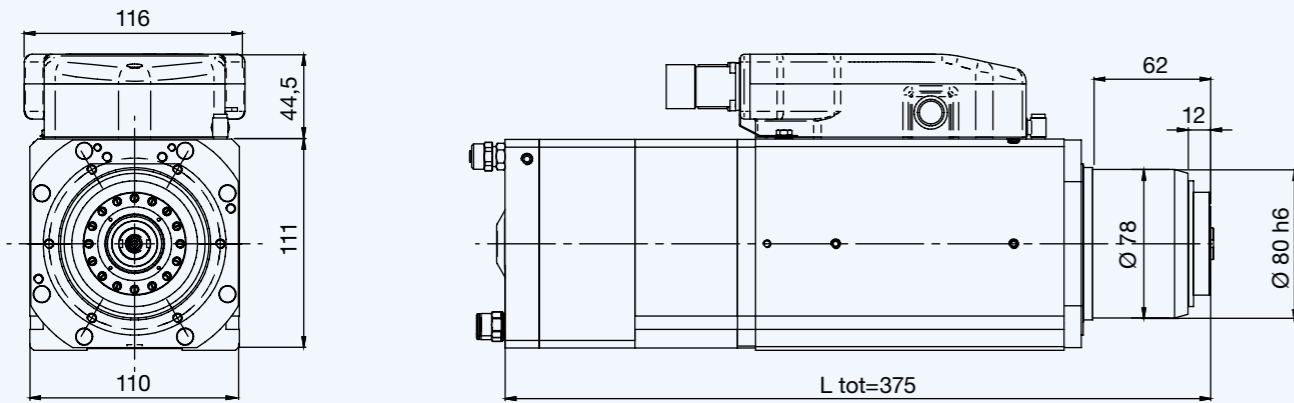


POWERTECH 250

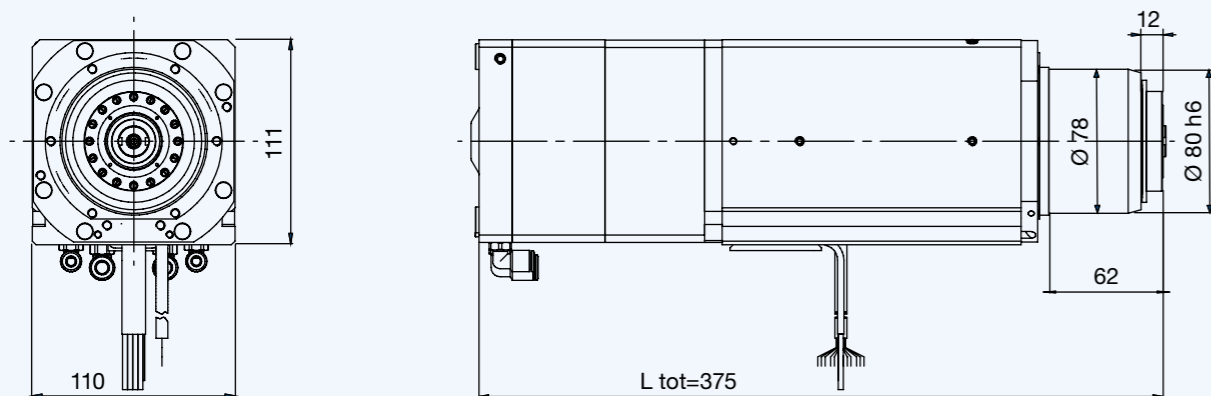


SUITABLE FOR MACHINING ALUMINUM, PLASTICS AND LIGHT ALLOYS
 VERY STRONG SPINDLES WITH SPEEDS UP TO 40K RPM
 5 BEARINGS FOR HIGH STIFFNESS
 SUITABLE FOR 3 AND 5-AXIS MACHINES

LAYOUT HSK40E / HSK32E CC



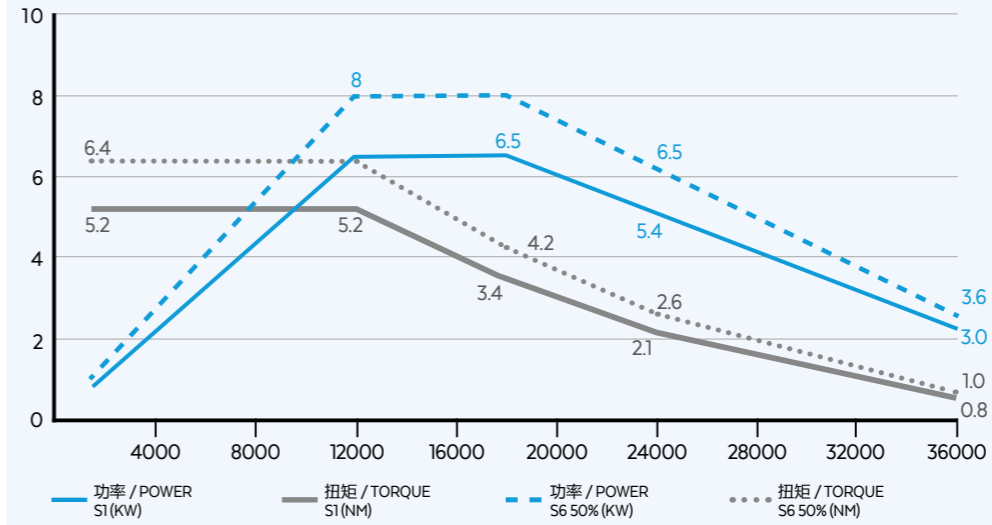
LAYOUT HSK40E / HSK32E SC



QD-2 6.5/12 36

HIGH SPEED

性能 / PERFORMANCES



选配 / OPTIONS

- Encoder TVpp or TTL
- Quick connection PP
- HSK 32E
- Circular connector cc machine side
- Anti-rotation sleeves
- Bearings temperature monitoring
- Speed monitoring
- Vibration sensor
- Temperature sensor

技术规格 / TECHNICAL SPECIFICATIONS

- Power: 6.5/8 kW
- Speed: 20.5/23 A
- Pol: 4
- Supply: inverter
- rpm: 36000
- Volt: 380
- kg: 17

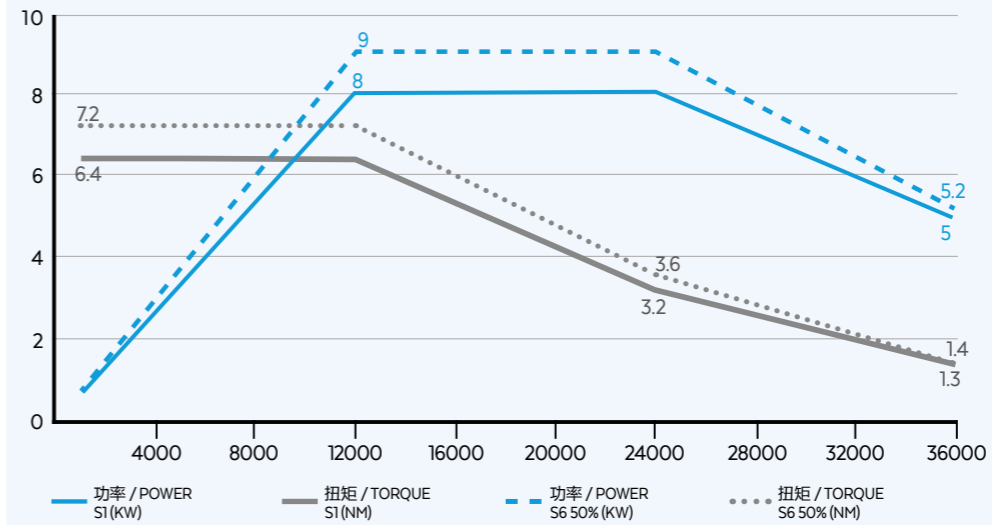
器材 / EQUIPMENT

- HSK 40E
- Ceramic ball bearings
- Circular connector spindle side
- Liquid cooling
- Labyrinth with air seal
- Taper cleaning
- Double effect pneumatic cylinder
- Automatic tool change (A.T.C)
- Grease lubrication
- Sensors s1, s2, s3, s5

QD-2 8/12 36

HIGH SPEED

性能 / PERFORMANCES



选配 / OPTIONS

- Encoder TVpp or TTL
- Quick connection PP
- HSK 32E
- Circular connector cc machine side
- Anti-rotation sleeves
- Bearings temperature monitoring
- Speed monitoring
- Vibration sensor
- Temperature sensor

技术规格 / TECHNICAL SPECIFICATIONS

- Power: 8/9 kW
- Speed: 24/26 A
- Pol: 4
- Supply: inverter
- rpm: 36000
- Volt: 380
- kg: 17

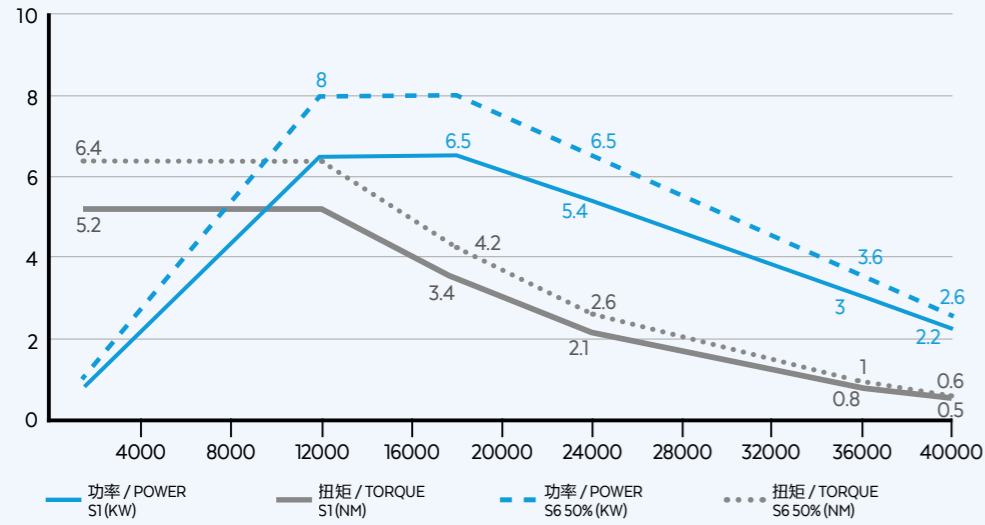
器材 / EQUIPMENT

- HSK 40E
- Ceramic ball bearings
- Circular connector spindle side
- Liquid cooling
- Labyrinth with air seal
- Taper cleaning
- Double effect pneumatic cylinder
- Automatic tool change (A.T.C)
- Grease lubrication
- Sensors s1, s2, s3, s5

QD-2 6.5/12 40

HIGH SPEED

性能 / PERFORMANCES



选配 / OPTIONS

- Encoder 1Vpp or TTL
- Quick connection PP
- Vibration sensor
- Temperature sensor
- Bearings temperature monitoring
- Speed monitoring
- Circular connector cc machine side
- Anti-rotation sleeves

技术规格 / TECHNICAL SPECIFICATIONS

- Power: 6.5/8 kW
- Current: 20.5/23 A
- Supply: 4 poles inverter
- Voltage: 380 Volt
- Speed: 40000 rpm
- Weight: 17 kg

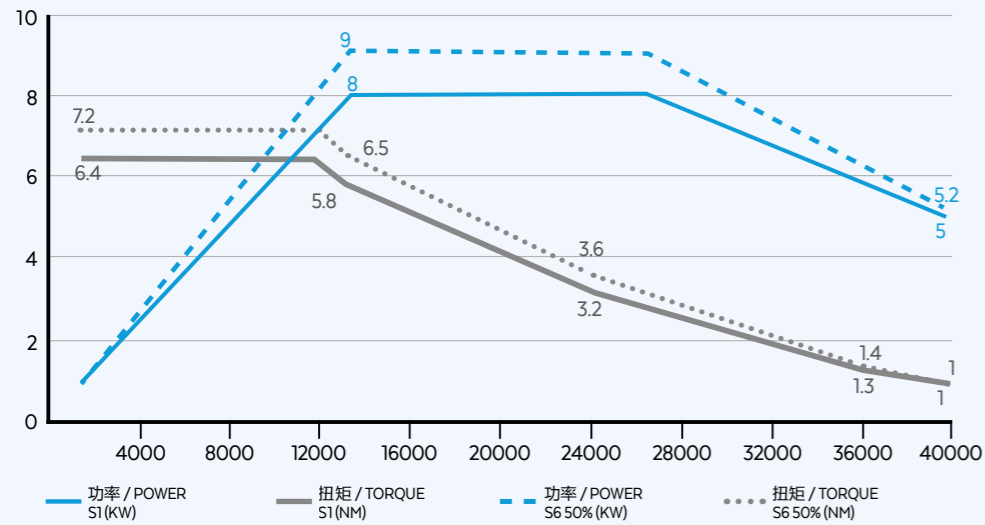
器材 / EQUIPMENT

- HSK 32E
- Liquid cooling
- Double effect pneumatic cylinder
- Automatic tool change (A.T.C)
- Ceramic ball bearings
- Labyrinth with air seal
- Grease lubrication
- Sensors s1, s2, s3, s5
- Circular connector spindle side
- Taper cleaning

QD-2 8/12 40

HIGH SPEED

性能 / PERFORMANCES



选配 / OPTIONS

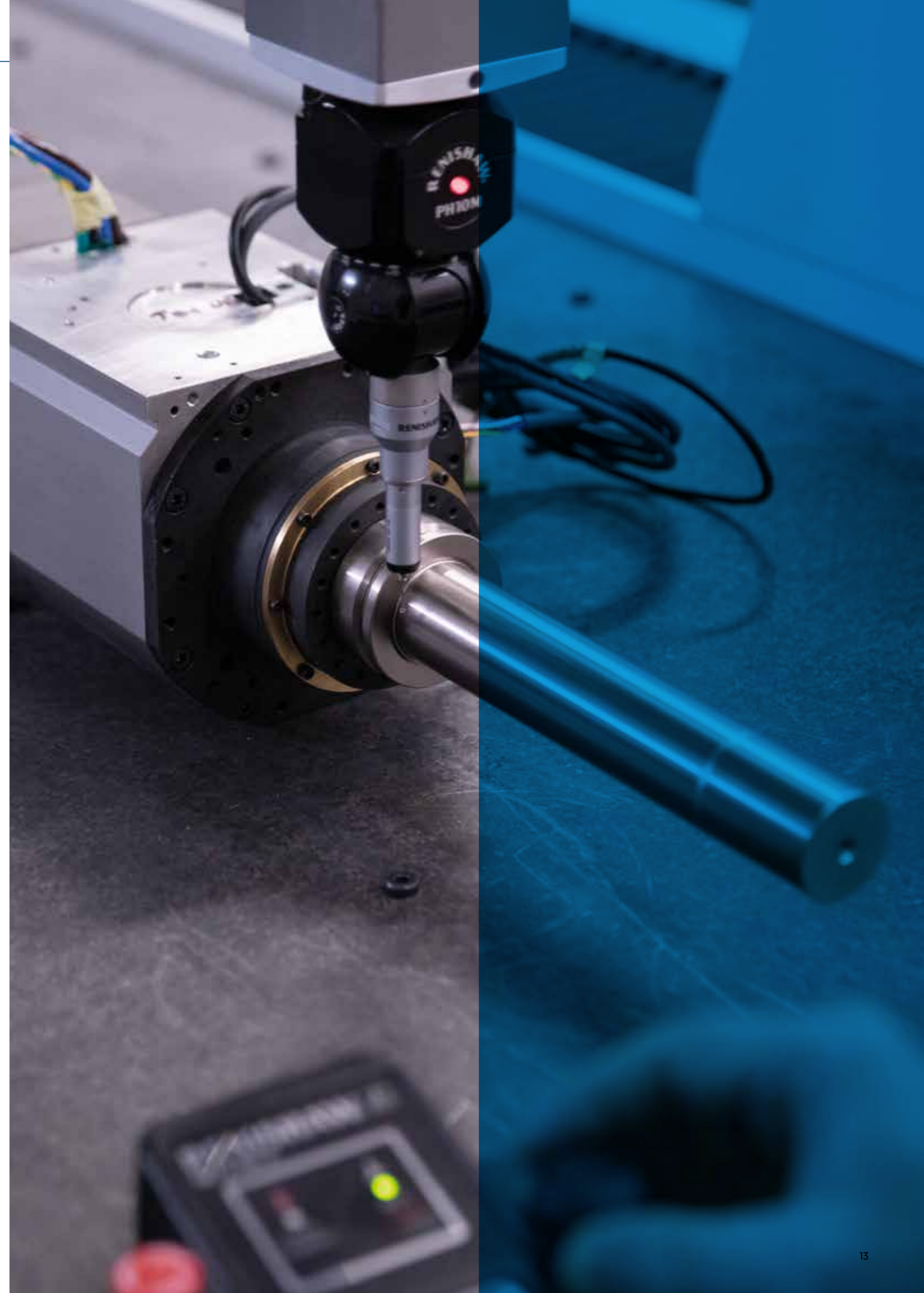
- Encoder 1Vpp or TTL
- Quick connection PP
- Vibration sensor
- Temperature sensor
- Bearings temperature monitoring
- Speed monitoring
- Circular connector cc machine side
- Anti-rotation sleeves

技术规格 / TECHNICAL SPECIFICATIONS

- Power: 8/9 kW
- Current: 24/26 A
- Supply: 4 poles inverter
- Voltage: 380 Volt
- Speed: 40000 rpm
- Weight: 17 kg

器材 / EQUIPMENT

- HSK 32E
- Liquid cooling
- Double effect pneumatic cylinder
- Automatic tool change (A.T.C)
- Ceramic ball bearings
- Labyrinth with air seal
- Grease lubrication
- Sensors s1, s2, s3, s5
- Circular connector spindle side
- Taper cleaning

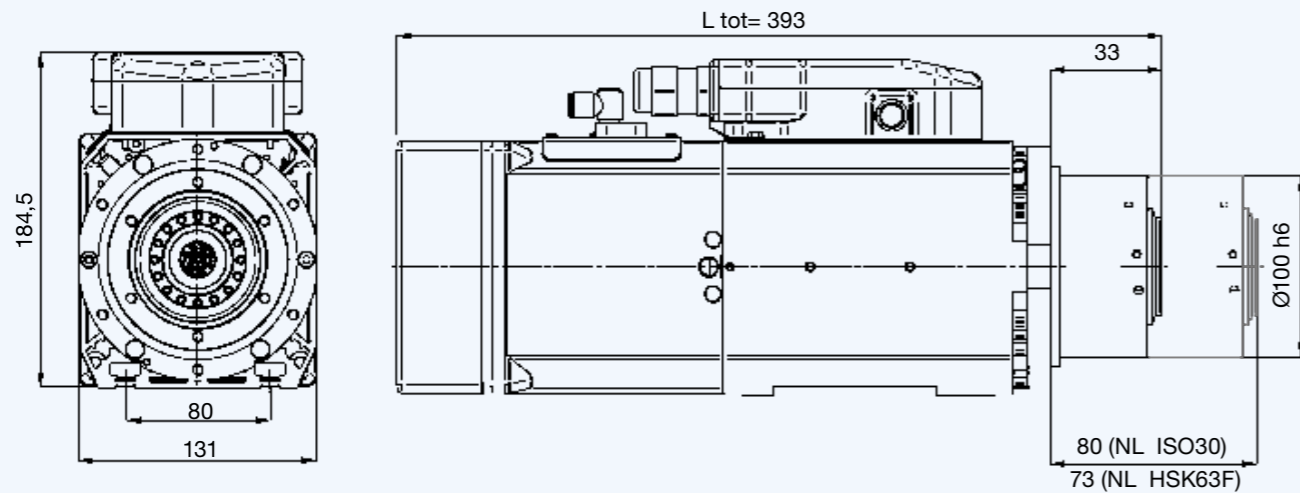


POWERTECH 300 COMPACT



SUITABLE FOR MACHINING WOOD, ALUMINUM AND PLASTICS
REDUCED SPACE REQUIRED
AVAILABLE WITH ISO 30, HSK 63F AND DUAL VOLTAGE
CERAMIC BEARINGS

LAYOUT ISO30 CB

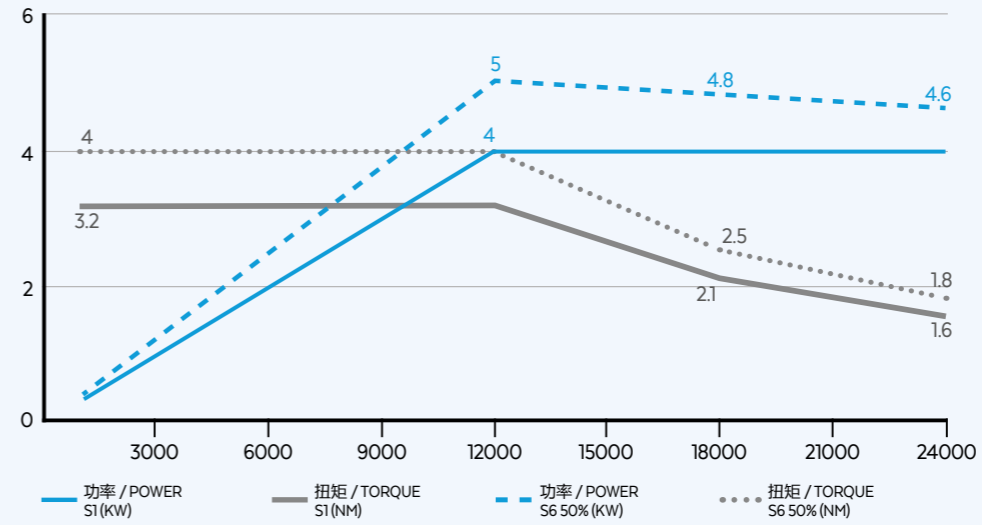


其他布局 / OTHER LAYOUTS

	ΔL	L tot
压缩空气 / Compressed air	ISO30= -44 mm	349 mm
	HSK63F= -44 mm	349 mm

QE-1F 4/12 24

性能 / PERFORMANCES



选配 / OPTIONS

- Encoder TVpp or TTL
- Circular connector CC
- Sensor s5
- Compressed air cooling
- Dual voltage 220V-380V
- Bearings temperature monitoring
- Speed monitoring
- Vibration sensor
- HSK 63F
- Anti-rotation sleeves

技术规格 / TECHNICAL SPECIFICATIONS

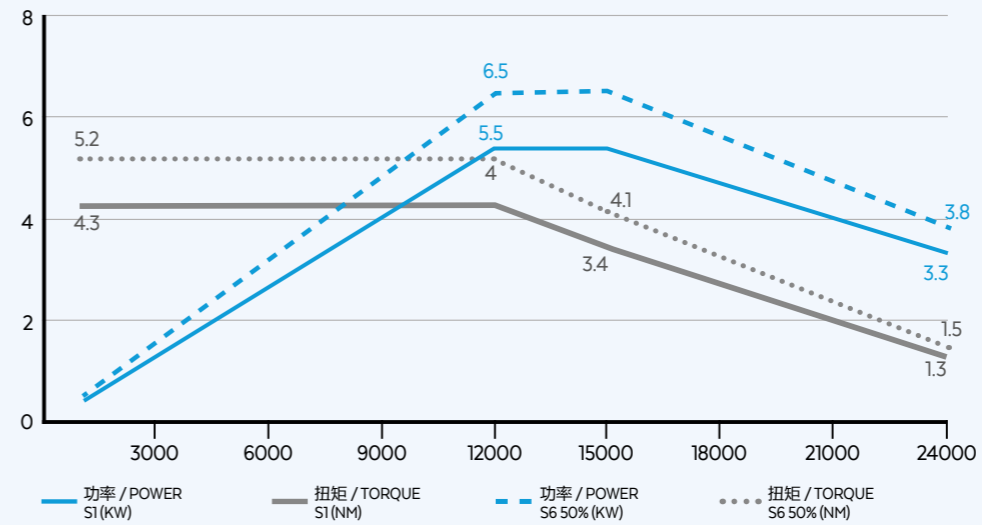
- S1-S6 kW 4/5
- S1-S6 Nm 3.2/4
- rpm 24000
- S1-S6 A 8.5/10
- Volt 380
- kg 19
- Pol es 2
- Supply inverter

器材 / EQUIPMENT

- ISO 30
- Ceramic ball bearings
- Grease lubrication
- Electrofan cooling
- Labyrinth with air seal
- Single effect pneumatic cylinder
- Sensors s1, s2, s3
- Automatic tool change (A.T.C)
- Taper cleaning

QE-1F 5.5/12 24

性能 / PERFORMANCES



选配 / OPTIONS

- Encoder TVpp or TTL
- Circular connector CC
- Sensor s5
- Compressed air cooling
- Dual voltage 220V-380V
- Bearings temperature monitoring
- Speed monitoring
- Vibration sensor
- HSK 63F
- Anti-rotation sleeves

技术规格 / TECHNICAL SPECIFICATIONS

- S1-S6 kW 5.5/6.5
- S1-S6 Nm 4.3/5.2
- rpm 24000
- S1-S6 A 11/13
- Volt 380
- kg 19
- Pol es 4
- Supply inverter

器材 / EQUIPMENT

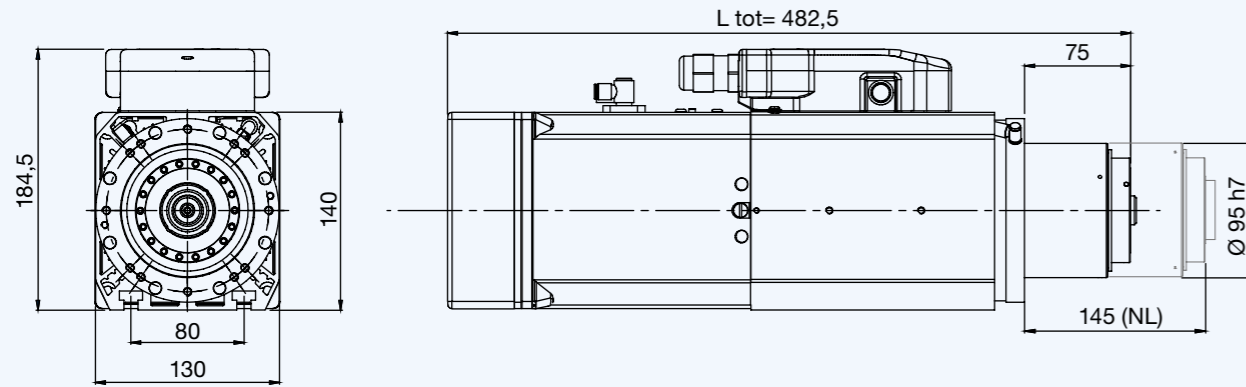
- ISO 30
- Ceramic ball bearings
- Grease lubrication
- Electrofan cooling
- Labyrinth with air seal
- Single effect pneumatic cylinder
- Sensors s1, s2, s3
- Automatic tool change (A.T.C)
- Taper cleaning

POWERTECH 300



SUITABLE FOR MACHINING WOOD, PLASTICS AND COMPOSITES
WIDE RANGE OF POWER FOR ANY TYPE OF MACHINING
AVAILABLE WITH LIQUID COOLING FOR HEAVY AND INTENSIVE PROCESSES
EASY MAINTENANCE

LAYOUT HSK 63F CB

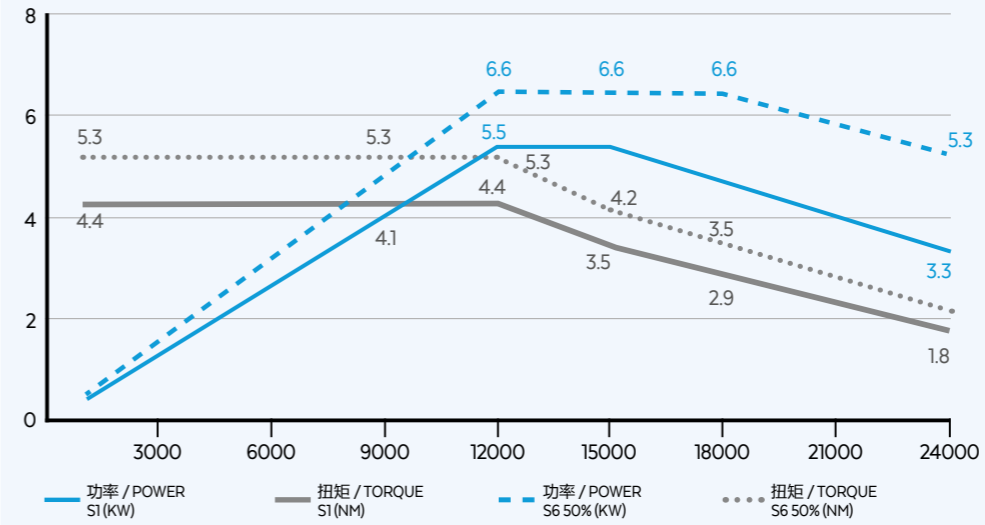


其他布局 / OTHER LAYOUTS

	ΔL	L tot
ISO 30	+6,9 mm	489,4 mm
压缩空气 / Compressed air	ISO30= -44 mm	438,5 mm
	HSK63F= -44 mm	438,5 mm
Encoder (1 Vpp or TTL)	ISO30= +7 mm	496,4 mm
	HSK= +7 mm	489,5 mm

QE-1F 5.5/12 24

性能 / PERFORMANCES



选配 / OPTIONS

- Encoder TVpp or TTL
- Circular connector CC
- Quick connection PP
- Long nose
- Air tool
- ISO 30
- Anti-rotation sleeves
- Bearings temperature monitoring
- Speed monitoring
- Vibration sensor
- C-AXES C-axis available
- iSPINDLE
- Compressed air cooling

技术规格 / TECHNICAL SPECIFICATIONS

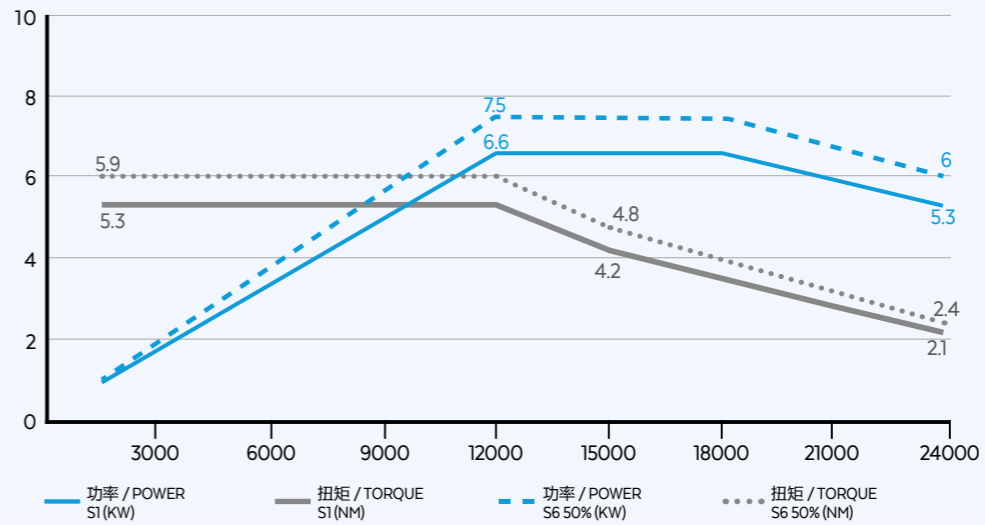
- S1-S6 kW: 5.5/6.6
- S1-S6 Nm: 4.4/5.3
- rpm: 24000
- S1-S6 A: 13.5/14.5
- Volt: 380
- kg: 21
- Pol es: 4
- Supply: inverter

器材 / EQUIPMENT

- HSK 63F
- Ceramic ball bearings
- Taper cleaning
- Electrofan cooling
- Labyrinth with air seal
- Grease lubrication
- Double effect pneumatic cylinder
- Sensors s1, s2, s3, s5
- Automatic tool change (A.T.C)

QE-1F 6.6/12 24

性能 / PERFORMANCES



选配 / OPTIONS

- Encoder TVpp or TTL
- Circular connector CC
- Quick connection PP
- Long nose
- Air tool
- ISO 30
- Dual voltage 220V-380V
- Anti-rotation sleeves
- Bearings temperature monitoring
- Speed monitoring
- Vibration sensor
- C-AXES C-axis available
- Compressed air cooling
- iSPINDLE

技术规格 / TECHNICAL SPECIFICATIONS

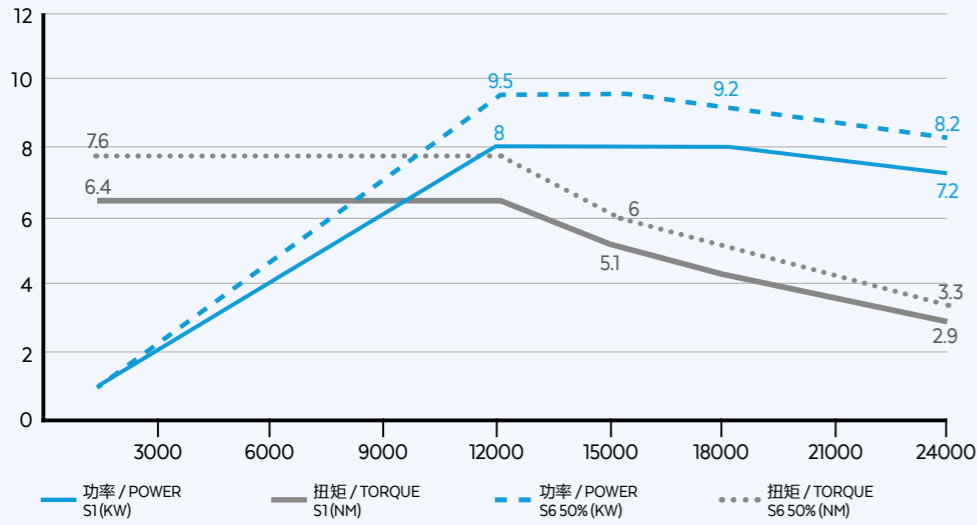
- S1-S6 kW: 6.6/7.5
- S1-S6 Nm: 5.3/5.9
- rpm: 24000
- S1-S6 A: 14.5/16
- Volt: 380
- kg: 21
- Pol es: 4
- Supply: inverter

器材 / EQUIPMENT

- HSK 63F
- Ceramic ball bearings
- Taper cleaning
- Electrofan cooling
- Grease lubrication
- Double effect pneumatic cylinder
- Labyrinth with air seal
- Sensors s1, s2, s3, s5
- Automatic tool change (A.T.C)

QE-1F 8/12 24

性能 / PERFORMANCES



选配 / OPTIONS

- Circular connector CC
- Quick connection PP
- Long nose
- Air tool
- Encoder TVpp or TTL
- ISO 30
- Dual voltage 220V-380V
- Bearings temperature monitoring
- Speed monitoring
- Vibration sensor
- C-axis available
- Compressed air cooling
- iSPINDLE
- Anti-rotation sleeves

技术规格 / TECHNICAL SPECIFICATIONS

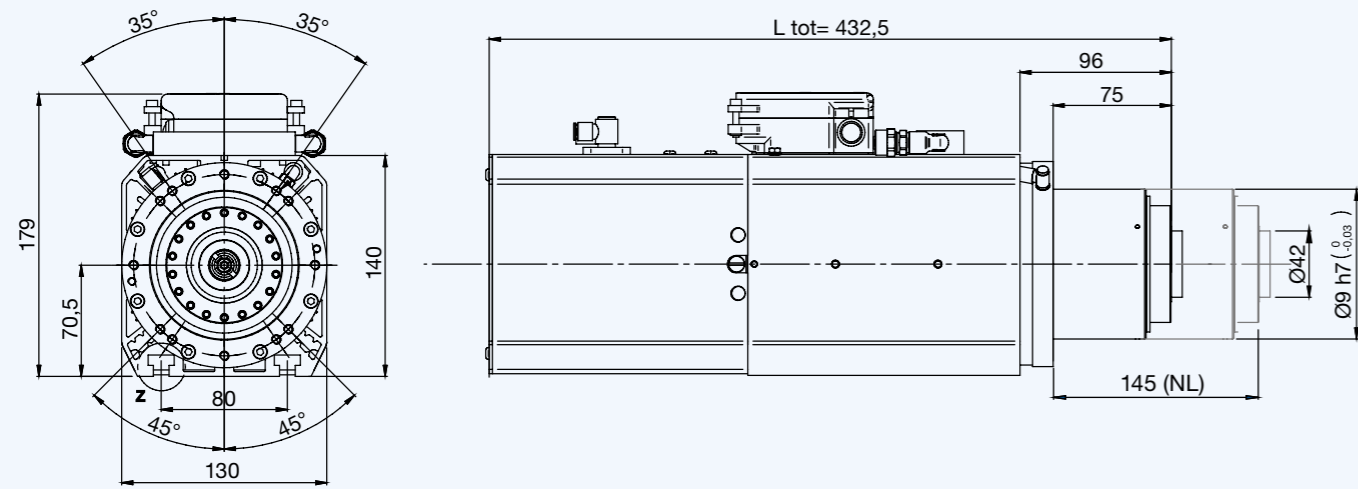
S1-S6 kW 8/9.5
S1-S6 A 18.5/20.5
Pol es 4
S1-S6 Nm 6.4/7.6
Volt 380
Supply inverter
rpm 24000
kg 21

器材 / EQUIPMENT

- HSK 63F
- Electrofan cooling
- Double effect pneumatic cylinder
- Automatic tool change (A.T.C)
- Ceramic ball bearings
- Labyrinth with air seal
- Sensors s1, s2, s3, s5
- Taper cleaning
- Grease lubrication

LAYOUT ISO 30 PP

LIQUID



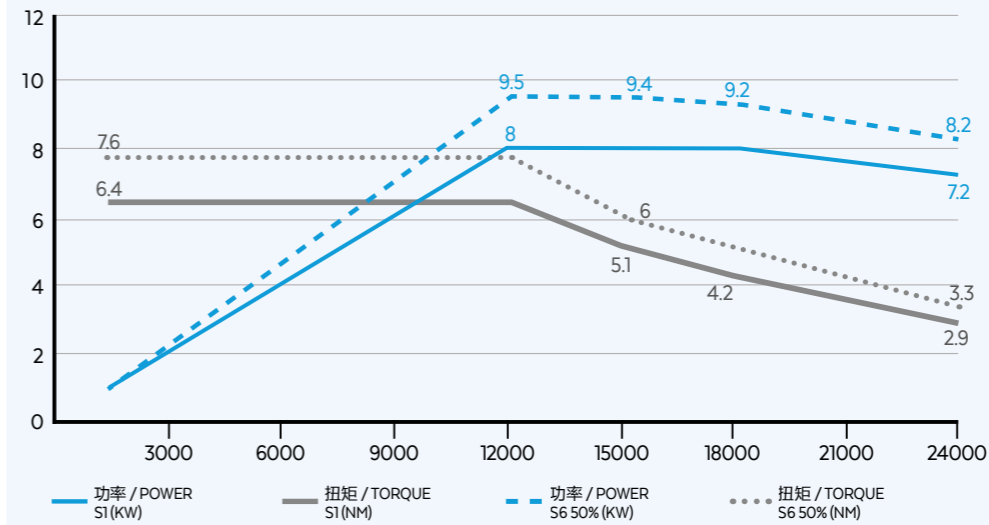
其他布局 / OTHER LAYOUTS

	ΔL	L tot
Encoder (1 Vpp or TTL)	ISO30= +7 mm	439,5 mm
HSK63F	HSK 63F= +7 mm	439,5 mm
	0 mm	432,5 mm

QE-2 8/12 24

LIQUID

性能 / PERFORMANCES



选配 / OPTIONS

- Encoder TVpp or TTL
- Long nose
- Air tool
- iSPINDLE
- Anti-rotation sleeves
- Bearings temperature monitoring
- Speed monitoring
- Vibration sensor
- C-axis available
- HSK 63F

技术规格 / TECHNICAL SPECIFICATIONS

S1-S6 kW 8/9.5
S1-S6 A 18.5/20.5
Pol es 4
S1-S6 Nm 6.4/7.6
Volt 380
Supply inverter
rpm 24000
kg 21

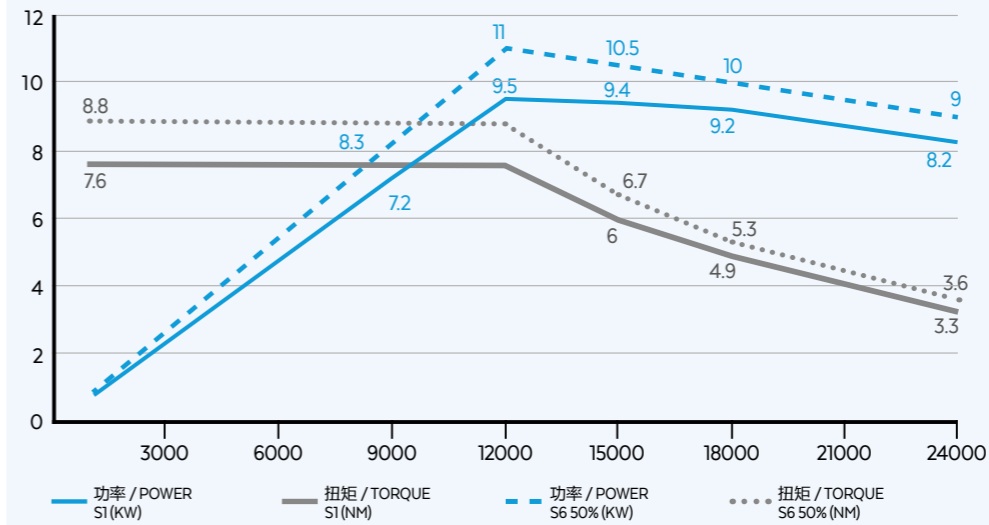
器材 / EQUIPMENT

- ISO 30
- Liquid cooling
- Double effect pneumatic cylinder
- Automatic tool change (A.T.C)
- Ceramic ball bearings
- Labyrinth with air seal
- Sensors s1, s2, s3, s5
- Taper cleaning
- Grease lubrication
- Quick connection PP

QE-2 9,5/12 24

LIQUID

性能 / PERFORMANCES



选配 / OPTIONS

- Encoder TVpp or TTL
- Long nose
- Air tool
- iSPINDLE
- Anti-rotation sleeves
- Bearings temperature monitoring
- Speed monitoring
- Vibration sensor
- C-axis available
- HSK 63F

技术规格 / TECHNICAL SPECIFICATIONS

S1-S6 kW 9.5/11
S1-S6 A 20.5/23
Pol es 4
S1-S6 Nm 7.6/8.8
Volt 380
Supply inverter
rpm 24000
kg 21

器材 / EQUIPMENT

- ISO 30
- Liquid cooling
- Double effect pneumatic cylinder
- Automatic tool change (A.T.C)
- Ceramic ball bearings
- Labyrinth with air seal
- Sensors s1, s2, s3, s5
- Taper cleaning
- Grease lubrication
- Quick connection PP

POWERTECH 400 HIGH SPEED

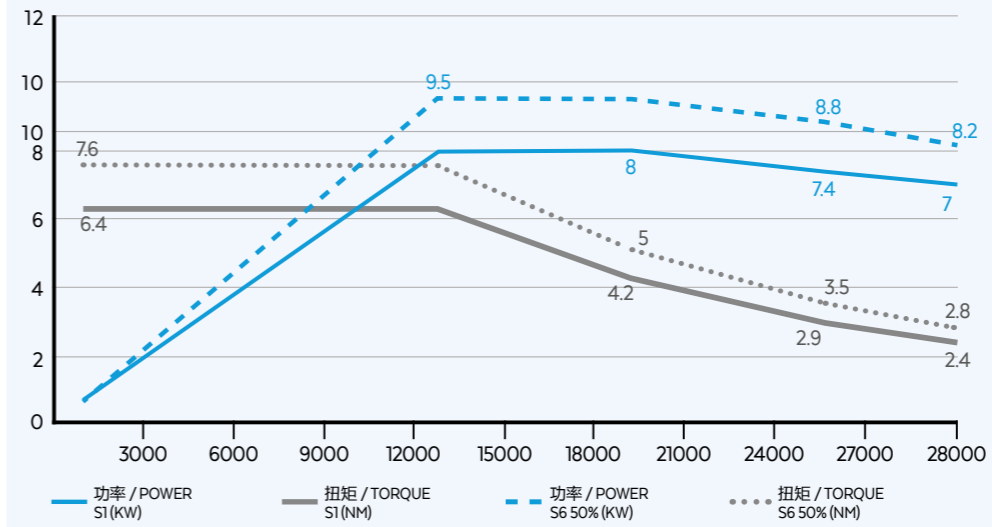


SUITABLE FOR MACHINING ALUMINUM AND COMPOSITES
LONG NOSE DESIGN TO GUARANTEE STRONG RIGIDITY
AIR COOLED SPINDLES WITH HIGH SPEED UP TO 28K RPM FOR FASTER FEED RATES
AVAILABLE WITH ISO 30, HSK 63F AND DUAL VOLTAGE

QE-1F 8/12 28

HIGH SPEED

性能 / PERFORMANCES



选配 / OPTIONS

- Encoder 1Vpp or TTL
- ISO 30
- Air tool
- Plug & Play
- Dual voltage 220V-380V
- iSPINDLE
- Bearings temperature monitoring
- Speed monitoring
- Vibration sensor
- C-AXES available
- Circular connector cc machine side

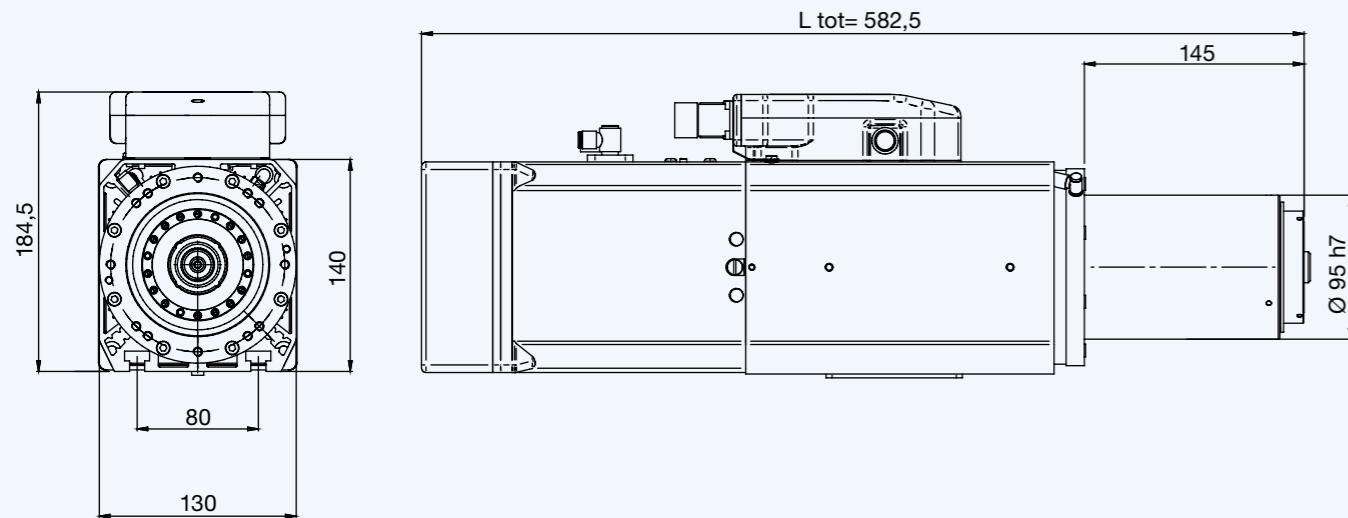
技术规格 / TECHNICAL SPECIFICATIONS

- S1-S6 kW 8/9
- S1-S6 A 17/19
- Pol es 4
- S1-S6 Nm 6.4/7.6
- Volt 380
- Supply inverter
- rpm 28000
- kg 25

器材 / EQUIPMENT

- HSK 63F
- Ceramic ball bearings
- Circular connector spindle side
- Electrofan cooling
- Labyrinth with air seal
- Taper cleaning
- Double effect pneumatic cylinder
- Sensors s1, s2, s3, s5
- Automatic tool change (A.T.C)
- Grease lubrication

LAYOUT HSK 63F CC



其他布局 / OTHER LAYOUTS

	ΔL	L tot
ISO 30	+6,9 mm	589,4 mm
Encoder (1 Vpp or TTL)	+7 mm	589,5 mm

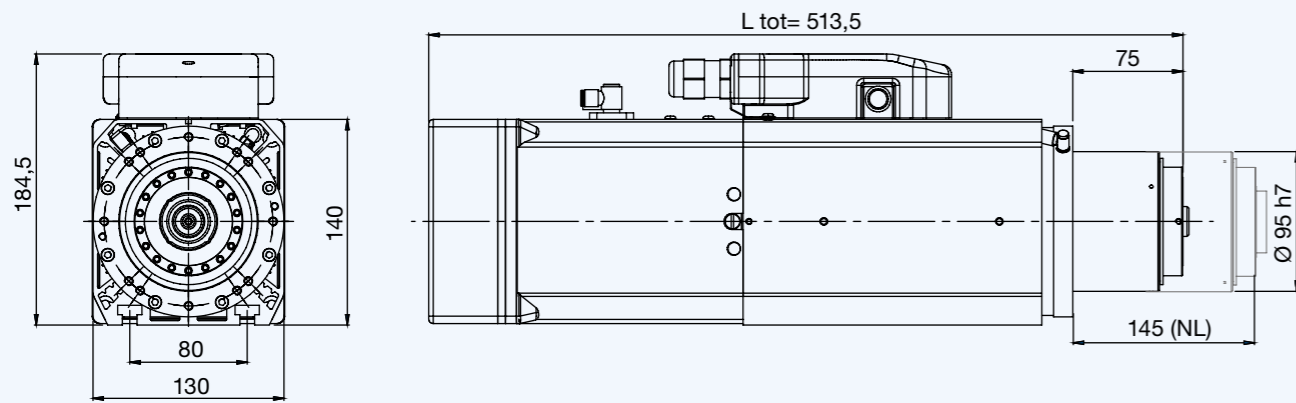


POWERTECH 400



SUITABLE FOR MACHINING WOOD AND ALUMINUM
WIDE RANGE OF POWER UP TO 16 KW. HIGH TORQUE VERSIONS AVAILABLE
AVAILABLE WITH LIQUID COOLING FOR HEAVY AND INTENSIVE PROCESSES
EASY MAINTENANCE

LAYOUT HSK 63F CB



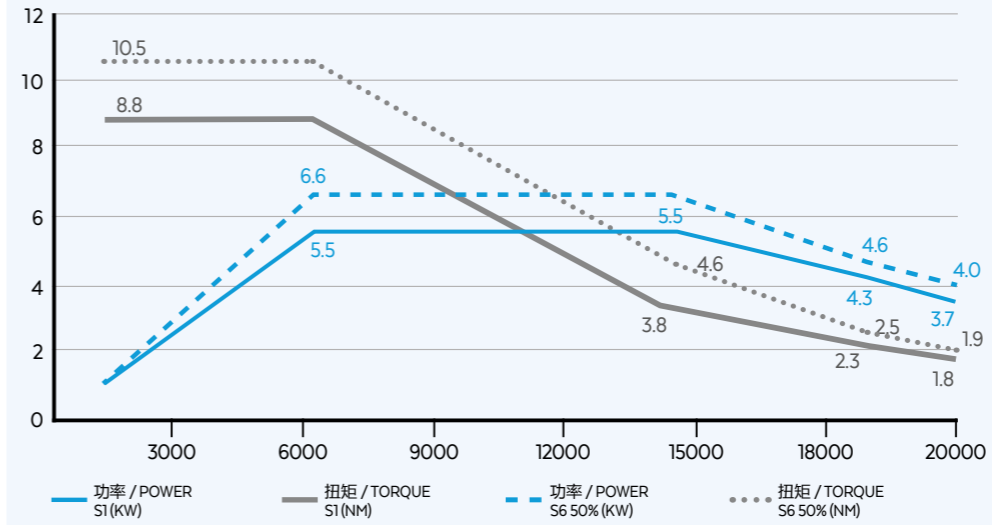
其他布局 / OTHER LAYOUTS

	ΔL	L tot
ISO 30	+6,9 mm	520,6 mm
压缩空气 / Compressed air	ISO30= -44 mm HSK63F= -44 mm	469,5 mm
Encoder (1 Vpp or TTL)	+7 mm +7 mm	520,5 mm 470,5 mm

QE-1F 5.5/6 20

HIGH TORQUE

性能 / PERFORMANCES



选配 / OPTIONS

- Encoder 1Vpp or TTL
- Circular connector CC
- Quick connection PP
- Air tool
- Long nose
- ISO 30
- Anti-rotation sleeves
- Bearings temperature monitoring
- Speed monitoring
- Vibration sensor
- C-AXES available
- iSPINDLE
- Compressed air cooling

技术规格 / TECHNICAL SPECIFICATIONS

- S1-S6 kW 5.5/6.6
- S1-S6 Nm 8.8/10.5
- rpm 20000
- S1-S6 A 12/13
- Volt 380
- kg 24
- Pol es 4
- Supply inverter

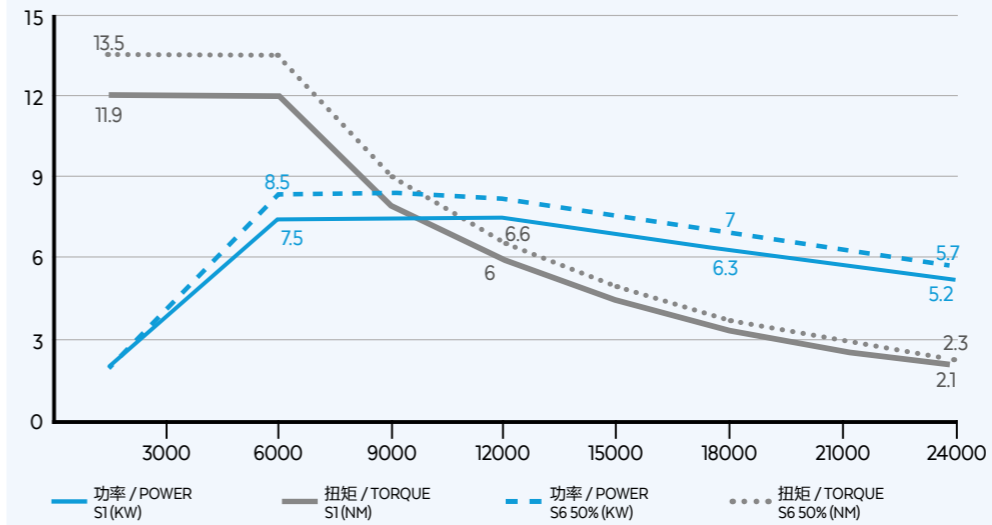
器材 / EQUIPMENT

- HSK 63F
- Ceramic ball bearings
- Taper cleaning
- Electrofan cooling
- Labyrinth with air seal
- Double effect pneumatic cylinder
- Sensors s1, s2, s3, s5
- Automatic tool change (A.T.C)
- Grease lubrication

QE-1F 7.5/6 24

HIGH TORQUE

性能 / PERFORMANCES



选配 / OPTIONS

- Encoder 1Vpp or TTL
- Circular connector CC
- Quick connection PP
- Air tool
- Long nose
- ISO 30
- Anti-rotation sleeves
- Bearings temperature monitoring
- Speed monitoring
- Vibration sensor
- C-AXES available
- iSPINDLE
- Grease lubrication

技术规格 / TECHNICAL SPECIFICATIONS

- S1-S6 kW 7.5/8.5
- S1-S6 Nm 11.9/13.5
- rpm 24000
- S1-S6 A 19.5/21.5
- Volt 380
- kg 24
- Pol es 4
- Supply inverter

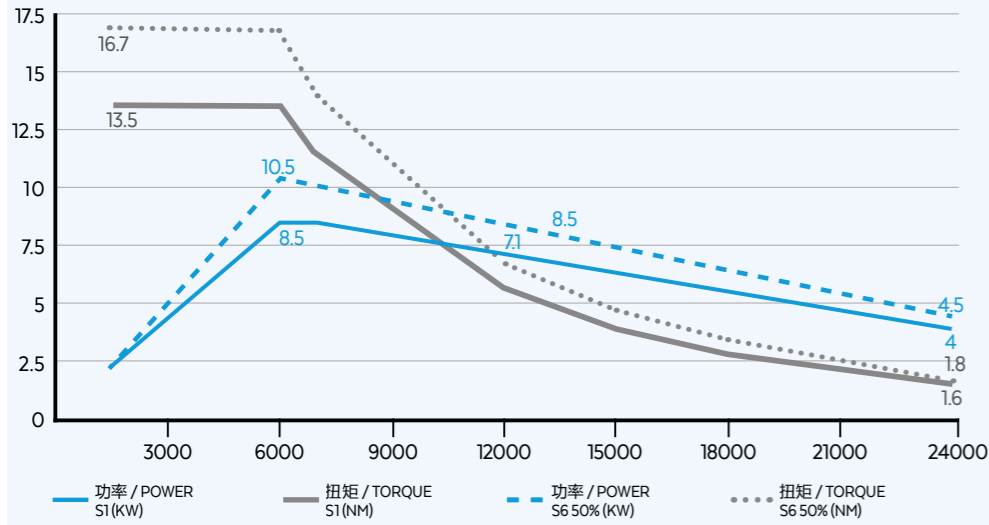
器材 / EQUIPMENT

- HSK 63F
- Ceramic ball bearings
- Taper cleaning
- Electrofan cooling
- Labyrinth with air seal
- Double effect pneumatic cylinder
- Sensors s1, s2, s3, s5
- Automatic tool change (A.T.C)
- Grease lubrication

QE-1F 8.5/6 24

HIGH TORQUE

性能 / PERFORMANCES



选配 / OPTIONS

- Encoder 1Vpp or TTL
- Circular connector CC
- Quick connection PP
- Long nose
- Air tool
- Voltage 220V
- Anti-rotation sleeves
- Bearings temperature monitoring
- Speed monitoring
- Vibration sensor
- C-AXES C-axis available
- ISO 30
- iSPINDLE

技术规格 / TECHNICAL SPECIFICATIONS

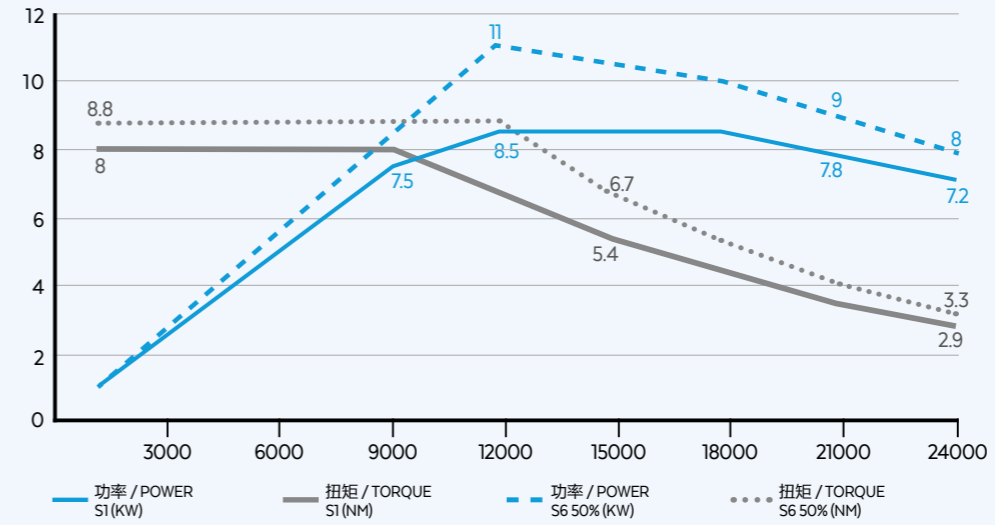
- S1-S6 kW 8.5/10.5
- S1-S6 A 20/25
- Pol es 4
- S1-S6 Nm 13.5/16.7
- Volt 380
- Supply inverter
- rpm 24000
- kg 24

器材 / EQUIPMENT

- HSK 63F
- Electrofan cooling
- Double effect pneumatic cylinder
- Automatic tool change (A.T.C)
- Ceramic ball bearings
- Labyrinth with air seal
- Sensors s1, s2, s3, s5
- Grease lubrication
- Taper cleaning

QE-1F 8.5/12 24

性能 / PERFORMANCES



选配 / OPTIONS

- Encoder 1Vpp or TTL
- Circular connector CC
- Quick connection PP
- Long nose
- Air tool
- Voltage 220V
- Dual voltage 220V-380V
- Anti-rotation sleeves
- Bearings temperature monitoring
- Speed monitoring
- Vibration sensor
- C-AXES C-axis available
- ISO 30
- iSPINDLE
- Compressed air cooling

技术规格 / TECHNICAL SPECIFICATIONS

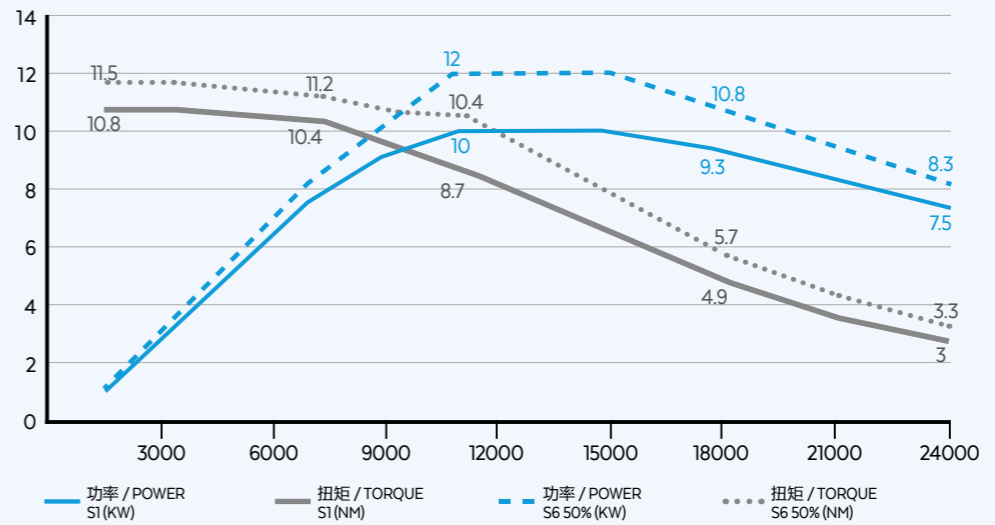
- S1-S6 kW 8/9.5
- S1-S6 A 22/23
- Pol es 4
- S1-S6 Nm 6.4/7.6
- Volt 380
- Supply inverter
- rpm 24000
- kg 21

器材 / EQUIPMENT

- HSK 63F
- Electrofan cooling
- Double effect pneumatic cylinder
- Automatic tool change (A.T.C)
- Ceramic ball bearings
- Labyrinth with air seal
- Sensors s1, s2, s3, s5
- Grease lubrication
- Taper cleaning

QE-1F 10/11 24

性能 / PERFORMANCES



选配 / OPTIONS

- Encoder 1Vpp or TTL
- Circular connector CC
- Quick connection PP
- ISO 30
- Voltage 220V
- Air tool
- Dual voltage 220V-380V
- Anti-rotation sleeves
- Bearings temperature monitoring
- Speed monitoring
- Vibration sensor
- C-AXES C-axis available
- Long nose
- iSPINDLE
- Compressed air cooling

技术规格 / TECHNICAL SPECIFICATIONS

- S1-S6 kW 10/12
- S1-S6 A 25/27
- Pol es 4
- S1-S6 Nm 10.8/11.5
- Volt 380
- Supply inverter
- rpm 24000
- kg 23

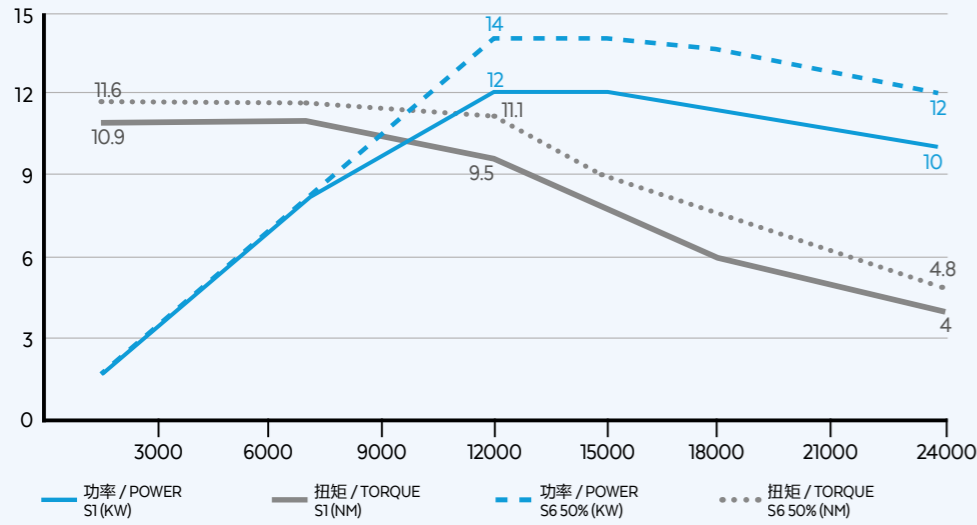
器材 / EQUIPMENT

- HSK 63F
- Electrofan cooling
- Double effect pneumatic cylinder
- Automatic tool change (A.T.C)
- Ceramic ball bearings
- Labyrinth with air seal
- Sensors s1, s2, s3, s5
- Grease lubrication
- Taper cleaning



QE-1F 12/12 24

性能 / PERFORMANCES



选配 / OPTIONS

- Encoder TVpp or TTL
- Circular connector CC
- Quick connection pp
- Air tool
- Long nose
- Anti-rotation sleeves
- Bearings temperature monitoring
- Speed monitoring
- Vibration sensor
- C-axes available
- iSPINDLE

技术规格 / TECHNICAL SPECIFICATIONS

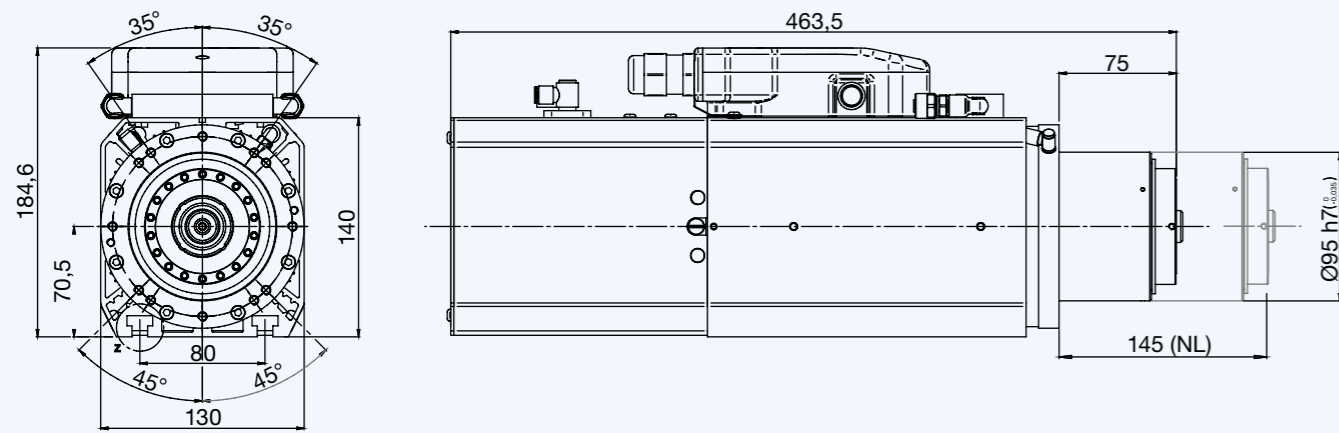
- S1-S6 kW 12/14
- S1-S6 A 23/27
- Pol es 4
- S1-S6 Nm 10.9/11.6
- Volt 380
- Supply inverter
- rpm 24000
- kg 23

器材 / EQUIPMENT

- HSK 63F
- Electrofan cooling
- Double effect pneumatic cylinder
- Automatic tool change (A.T.C)
- Ceramic ball bearings
- Sensors s1, s2, s3, s5
- Grease lubrication
- Taper cleaning
- Labyrinth with air seal

LAYOUT HSK 63F CB

LIQUID



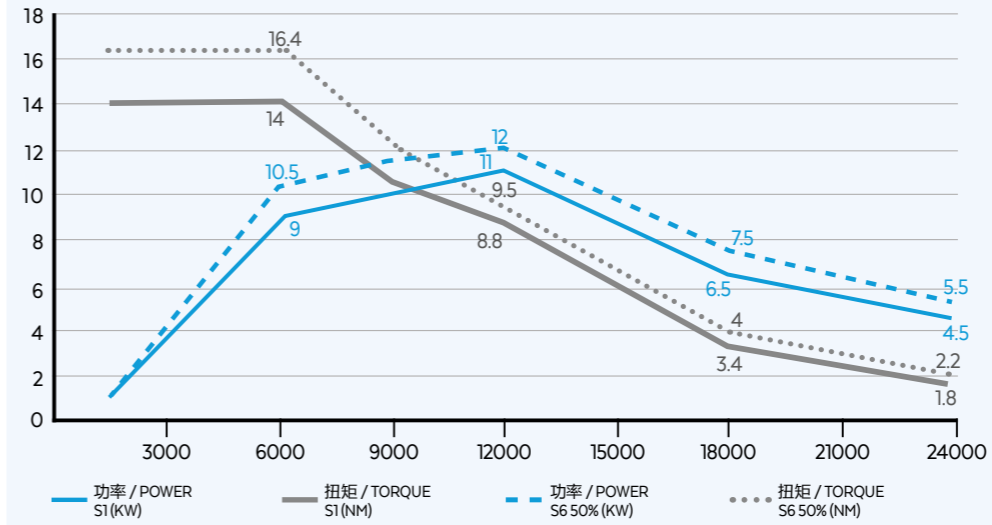
其他布局 / OTHER LAYOUTS

	ΔL	L tot
Encoder (1 Vpp or TTL)	+7 mm	470,5 mm
ISO 30	+7 mm	470,5 mm

QE-2 9/6 24

LIQUID HIGH TORQUE

性能 / PERFORMANCES



选配 / OPTIONS

- Encoder TVpp or TTL
- Circular connector CC
- Quick connection pp
- Air tool
- Long nose
- iSPINDLE
- Bearings temperature monitoring
- Speed monitoring
- Vibration sensor
- C-axes available
- Anti-rotation sleeves

技术规格 / TECHNICAL SPECIFICATIONS

- S1-S6 kW 9/10.5
- S1-S6 A 20/22.5
- Pol es 4
- S1-S6 Nm 14/16.4
- Volt 380
- Supply inverter
- rpm 24000
- kg 23

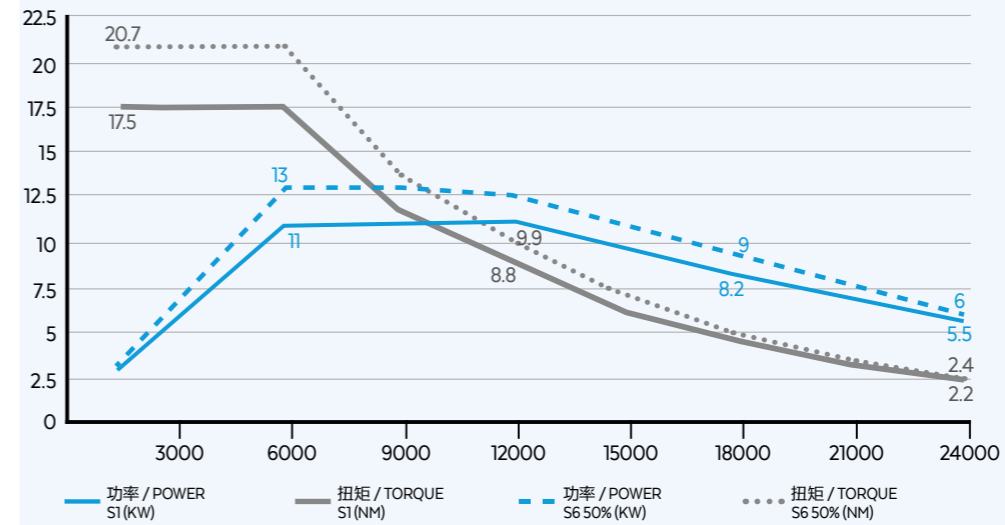
器材 / EQUIPMENT

- HSK 63F
- Liquid cooling
- Double effect pneumatic cylinder
- Automatic tool change (A.T.C)
- Ceramic ball bearings
- Labyrinth with air seal
- Sensors s1, s2, s3, s5
- Grease lubrication
- Taper cleaning

QE-2 11/6 24

LIQUID HIGH TORQUE

性能 / PERFORMANCES



选配 / OPTIONS

- Encoder TVpp or TTL
- Circular connector CC
- Quick connection pp
- Air tool
- Long nose
- Anti-rotation sleeves
- Bearings temperature monitoring
- Speed monitoring
- Vibration sensor
- C-axes available
- iSPINDLE

技术规格 / TECHNICAL SPECIFICATIONS

- S1-S6 kW 11/13
- S1-S6 A 24/28
- Pol es 4
- S1-S6 Nm 17.5/20.7
- Volt 380
- Supply inverter
- rpm 24000
- kg 23

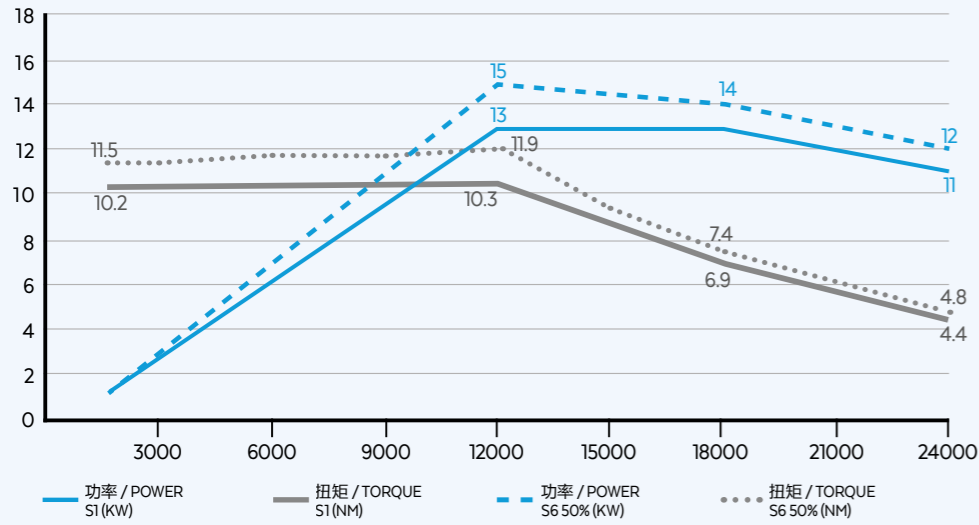
器材 / EQUIPMENT

- HSK 63F
- Liquid cooling
- Double effect pneumatic cylinder
- Automatic tool change (A.T.C)
- Ceramic ball bearings
- Labyrinth with air seal
- Sensors s1, s2, s3, s5
- Grease lubrication
- Taper cleaning

QE-2 13/12 24

LIQUID

性能 / PERFORMANCES



选配 / OPTIONS

- Encoder 1 Vpp or TTL
- Circular connector CC
- Quick connection PP
- Air tool
- Long nose
- iSPINDLE
- Bearings temperature monitoring
- Speed monitoring
- Vibration sensor
- C-AXES available
- Anti-rotation sleeves

技术规格 / TECHNICAL SPECIFICATIONS

- S1-S6 kW 13/15
- S1-S6 A 28/31
- Pol es 4
- S1-S6 Nm 10.3/11.9
- Volt 380
- Supply inverter
- rpm 24000
- kg 23

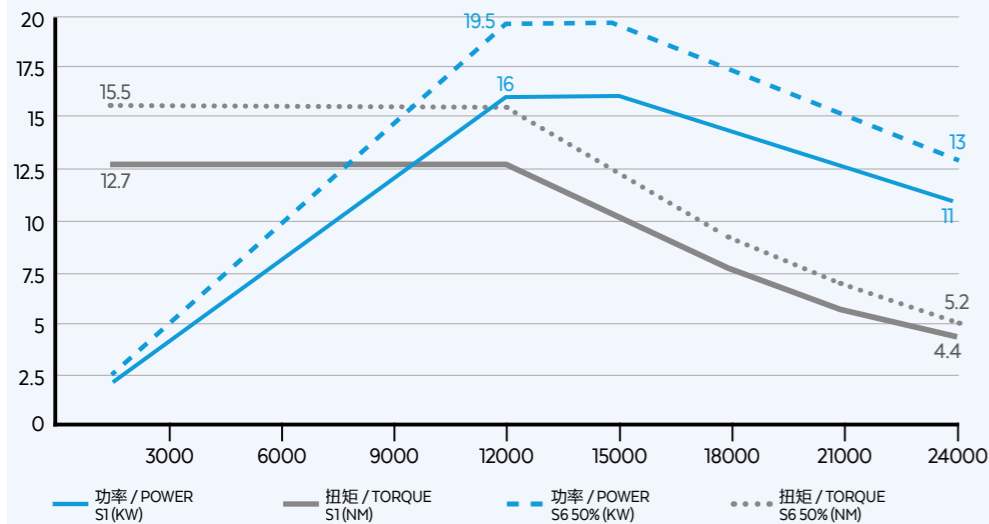
器材 / EQUIPMENT

- HSK 63F
- Liquid cooling
- Double effect pneumatic cylinder
- Sensors s1, s2, s3, s5
- Automatic tool change (A.T.C)
- Grease lubrication
- Ceramic ball bearings
- Labyrinth with air seal
- Taper cleaning

QE-2 16/12 24

LIQUID

性能 / PERFORMANCES



选配 / OPTIONALS

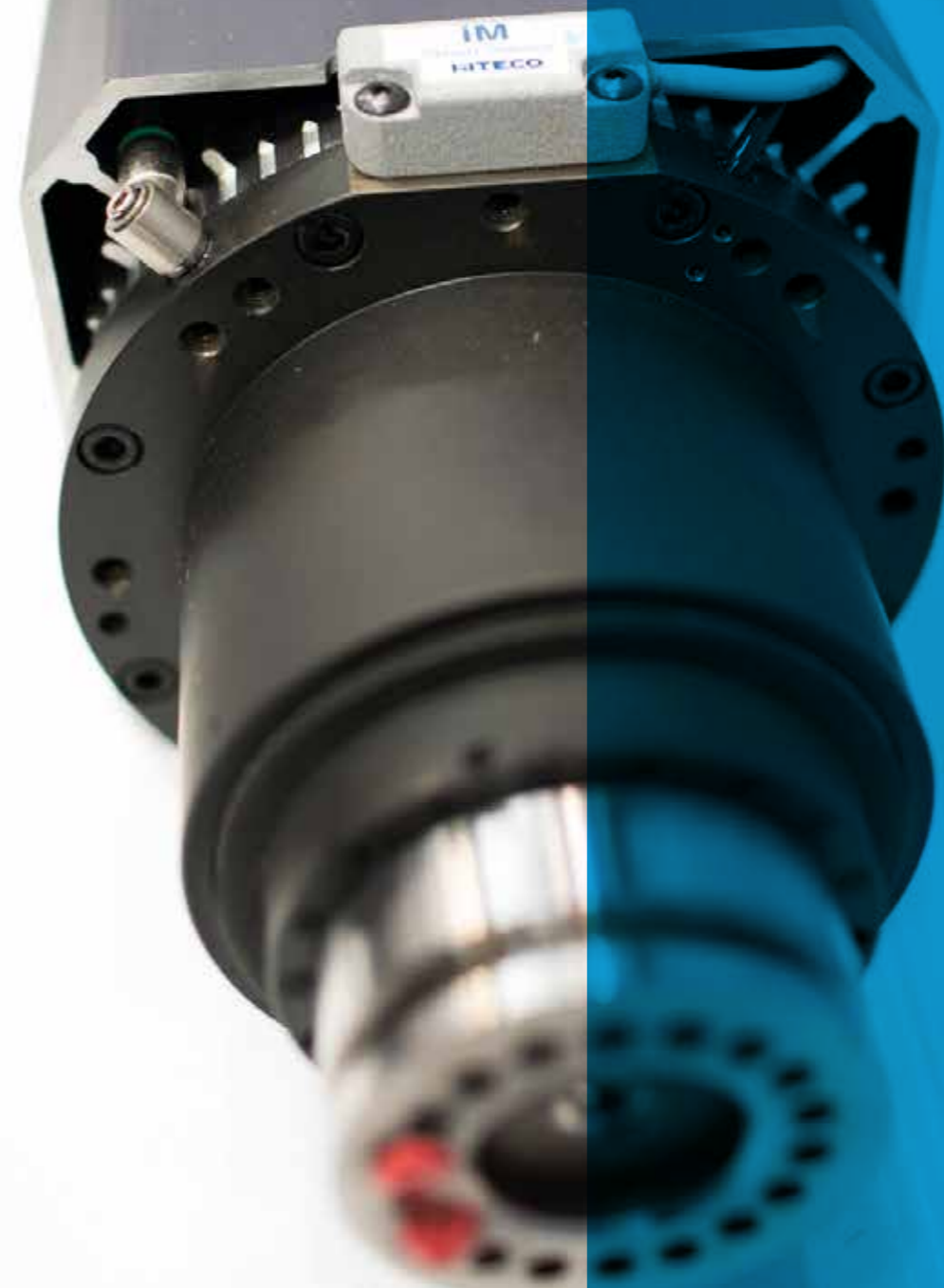
- Encoder 1 Vpp or TTL
- Quick connection PP
- Air tool
- Long nose
- iSPINDLE
- Bearings temperature monitoring
- Speed monitoring
- Vibration sensor
- C-AXES available

技术规格 / TECHNICAL SPECIFICATIONS

- S1-S6 kW 16/19.5
- S1-S6 A 31/36
- Pol es 4
- S1-S6 Nm 12.7/15.5
- Volt 380
- Supply inverter
- rpm 24000
- kg 23

器材 / EQUIPMENT

- HSK 63F
- Liquid cooling
- Double effect pneumatic cylinder
- Sensors s1, s2, s3, s5
- Automatic tool change (A.T.C)
- Grease lubrication
- Ceramic ball bearings
- Labyrinth with air seal
- Taper cleaning

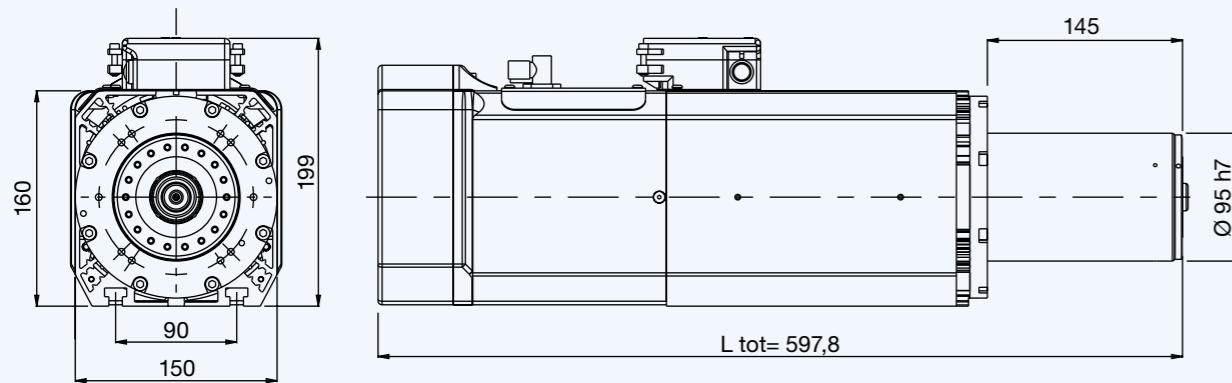


POWERTECH 500



SUITABLE FOR MACHINING WOOD AND ALUMINUM
 WIDE RANGE OF POWER UP TO 18 KW AND HIGH TORQUES FOR HEAVY MACHINING
 HSK 63E VERSIONS FOR WORKING WITH DOUBLE PROFILE TOOLS
 SUITABLE FOR MACHINING WOODEN WINDOWS AND DOORS
 AVAILABLE WITH LIQUID COOLING FOR INTENSIVE PROCESSES

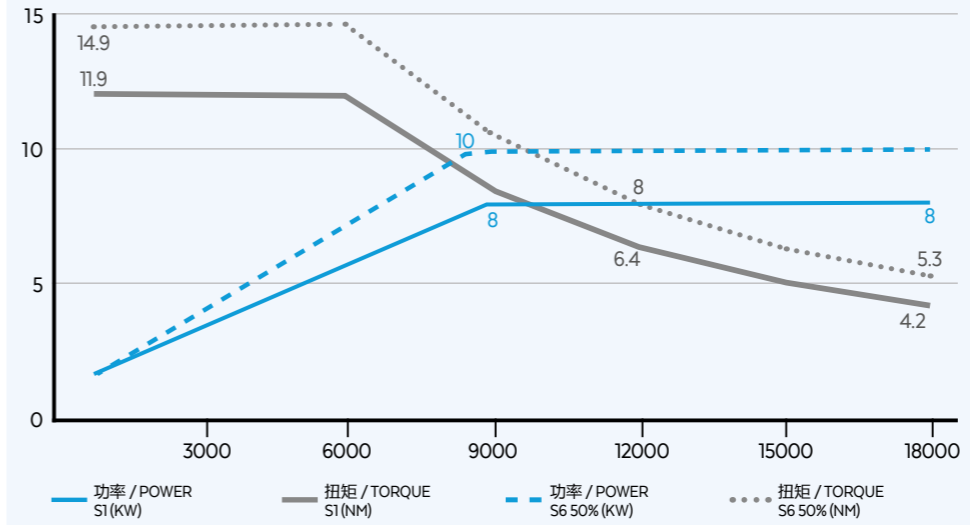
LAYOUT HSK 63F PP



QF-1F 8/9 18

HIGH TORQUE

性能 / PERFORMANCES



选配 / OPTIONS

- Bearings temperature monitoring
- Vibration sensor
- Speed monitoring
- Plug & Play Quick connection pp machine side
- HSK 63E

技术规格 / TECHNICAL SPECIFICATIONS

- Power: 8/10 kW
- Current: 20/24 A
- Speed: 18000 rpm
- Voltage: 380 Volt
- Weight: 35 kg
- Poles: 4
- Supply: inverter

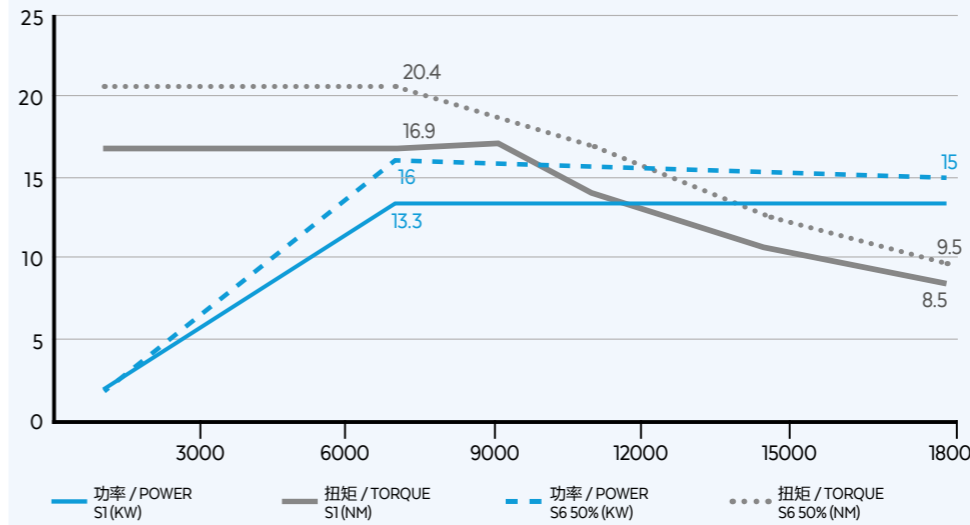
器材 / EQUIPMENT

- HSK 63F
- Ceramic ball bearings
- Taper cleaning
- Electrofan cooling
- Labyrinth with air seal
- Quick connection PP spindle side
- Double effect pneumatic cylinder
- Sensors s1, s2, s3
- Automatic tool change (A.T.C)
- Grease lubrication

QF-1F 13/7 18

HIGH TORQUE

性能 / PERFORMANCES



选配 / OPTIONS

- Bearings temperature monitoring
- Vibration sensor
- Speed monitoring
- Plug & Play Quick connection pp machine side
- Temperature sensor
- HSK 63E

技术规格 / TECHNICAL SPECIFICATIONS

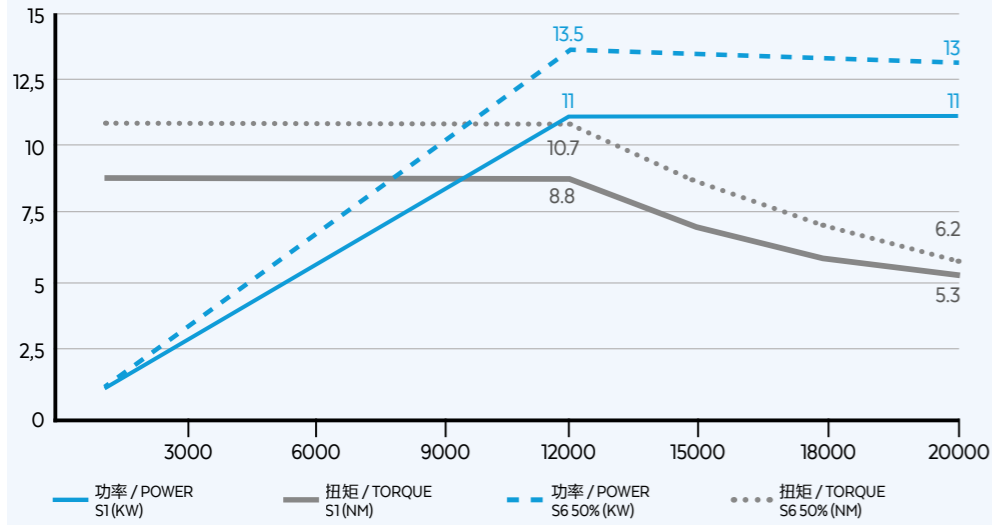
- Power: 13.3/16 kW
- Current: 28/32 A
- Speed: 18000 rpm
- Voltage: 380 Volt
- Weight: 35 kg
- Poles: 4
- Supply: inverter

器材 / EQUIPMENT

- HSK 63F
- Ceramic ball bearings
- Taper cleaning
- Electrofan cooling
- Labyrinth with air seal
- Quick connection PP spindle side
- Double effect pneumatic cylinder
- Sensors s1, s2, s3
- Automatic tool change (A.T.C)
- Grease lubrication

QF-1F 11/12 20

性能 / PERFORMANCES



选配 / OPTIONS

- Bearings temperature monitoring
- Vibration sensor
- Speed monitoring
- Quick connection pp machine side

技术规格 / TECHNICAL SPECIFICATIONS

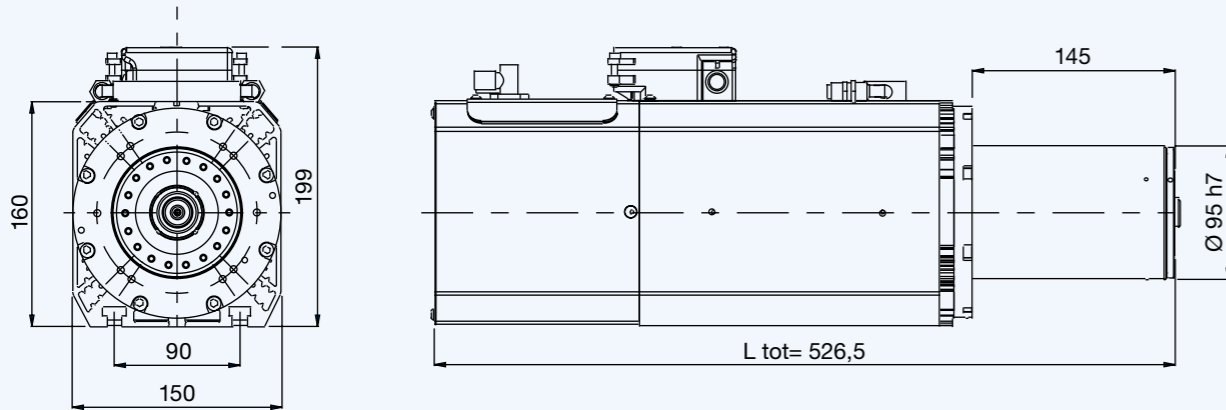
- S1-S6 kW** 11/13.5
- S1-S6 A** 28/32
- Pol es** 4
- S1-S6 Nm** 8.8/10.7
- Volt** 380
- Supply** inverter
- rpm** 20000
- kg** 35

器材 / EQUIPMENT

- HSK 63F
- Electrofan cooling
- Double effect pneumatic cylinder
- Automatic tool change (A.T.C)
- Ceramic ball bearings
- Labyrinth with air seal
- Sensors s1, s2, s3
- Grease lubrication
- Taper cleaning
- Quick connection PP spindle side

LAYOUT HSK 63F PP

LIQUID



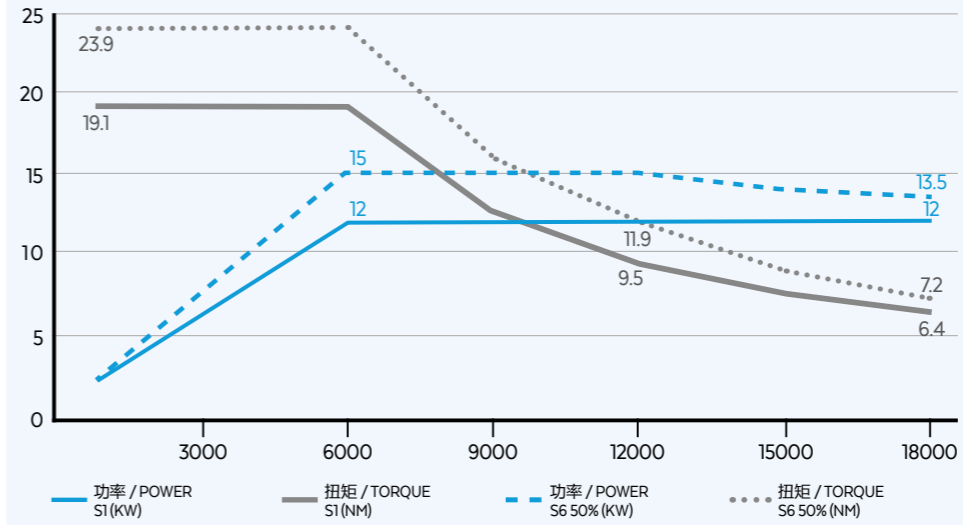
其他布局 / OTHER LAYOUTS

	ΔL	L tot
HSK 63E	+21 mm	547,5 mm

QF-2 12/6 18

LIQUID HIGH TORQUE

性能 / PERFORMANCES



选配 / OPTIONS

- Bearings temperature monitoring
- Vibration sensor
- Speed monitoring
- Quick connection pp machine side
- HSK 63E

技术规格 / TECHNICAL SPECIFICATIONS

- S1-S6 kW** 12/15
- S1-S6 A** 28/35
- Pol es** 4
- S1-S6 Nm** 19.1/23.9
- Volt** 380
- Supply** inverter
- rpm** 18000
- kg** 35

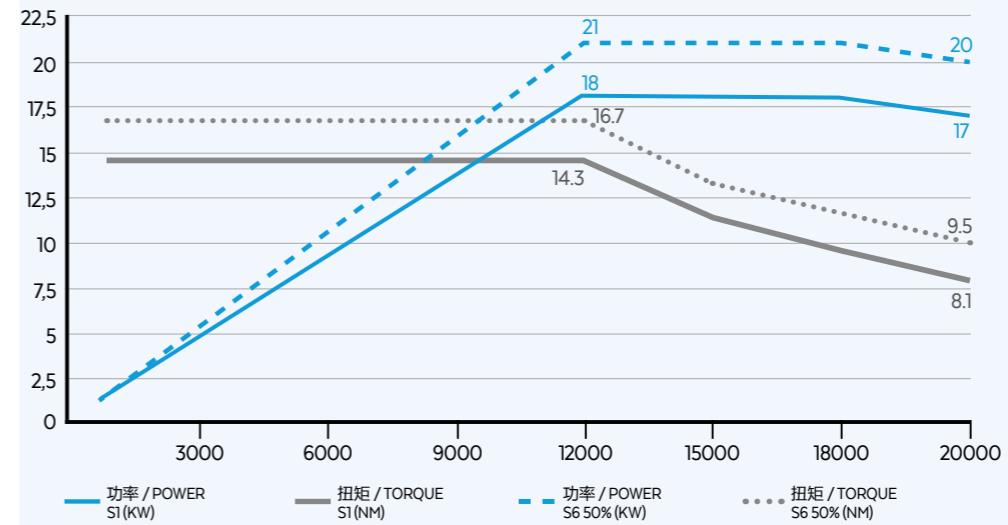
器材 / EQUIPMENT

- HSK 63F
- Liquid cooling
- Double effect pneumatic cylinder
- Automatic tool change (A.T.C)
- Ceramic ball bearings
- Labyrinth with air seal
- Sensors s1, s2, s3
- Grease lubrication
- Taper cleaning
- Quick connection PP spindle side

QF-2 18/12 20

LIQUID

性能 / PERFORMANCES



选配 / OPTIONS

- Bearings temperature monitoring
- Vibration sensor
- Speed monitoring
- Quick connection pp machine side
- HSK 63E

技术规格 / TECHNICAL SPECIFICATIONS

- S1-S6 kW** 18/21
- S1-S6 A** 36/41
- Pol es** 4
- S1-S6 Nm** 14.3/16.7
- Volt** 380
- Supply** inverter
- rpm** 20000
- kg** 35

器材 / EQUIPMENT

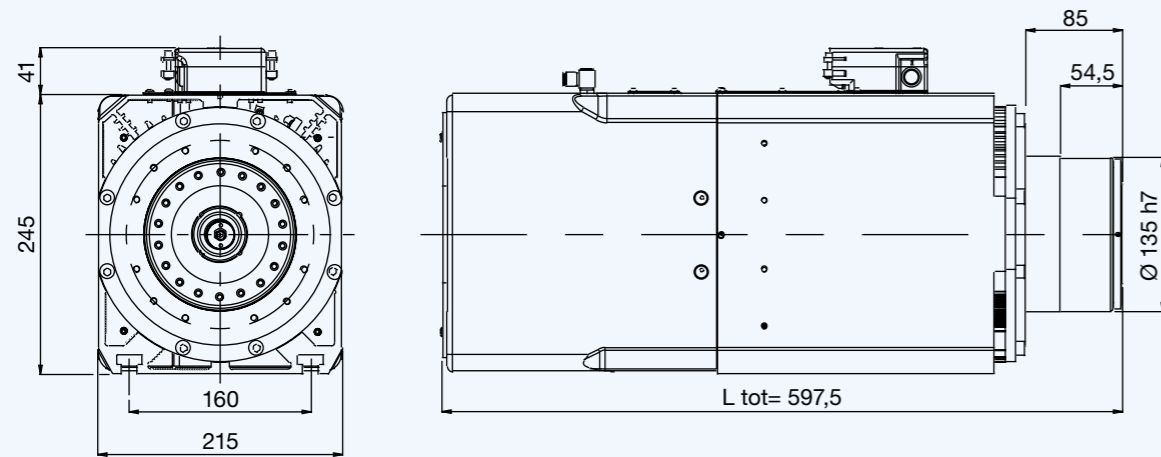
- HSK 63F
- Liquid cooling
- Double effect pneumatic cylinder
- Automatic tool change (A.T.C)
- Ceramic ball bearings
- Labyrinth with air seal
- Sensors s1, s2, s3
- Grease lubrication
- Taper cleaning
- Quick connection PP spindle side

POWERTECH 600



SUITABLE FOR MACHINING WOOD AND ALUMINUM
POWER UP TO 18 KW AND HIGH TORQUES FOR HEAVY MACHINING
AIR COOLING
SUITABLE FOR HEAVY MACHINING ON WOODEN WINDOWS AND DOORS

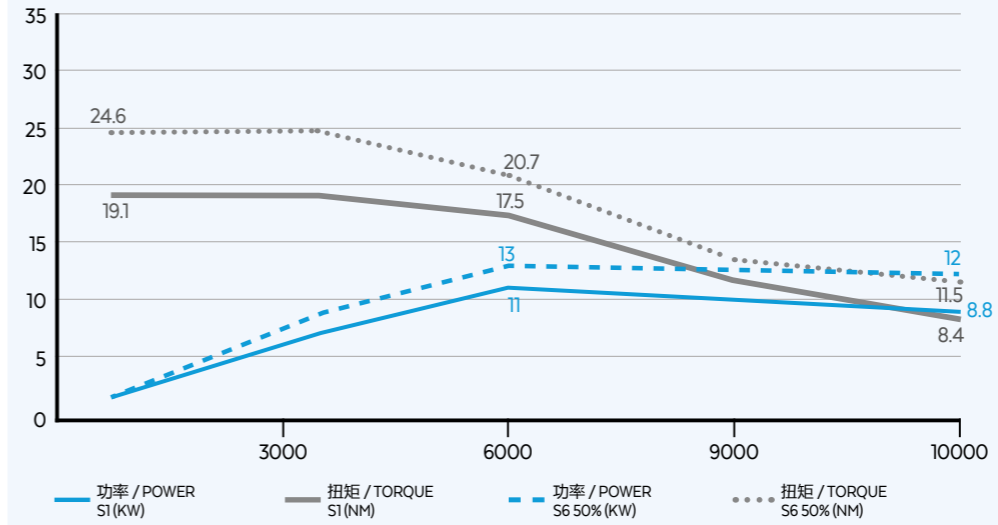
LAYOUT HSK 80F PP



QM-1F 11/6 10

HIGH TORQUE

性能 / PERFORMANCES



选配 / OPTIONS

- IM Bearings temperature monitoring
- IM² Speed monitoring
- IM Vibration sensor
- Plug & Play Quick connection pp machine side
- HSK 85S
- iS iSPINDLE

技术规格 / TECHNICAL SPECIFICATIONS

- S1-S6 kW 11/13
- S1-S6 A 25/33
- Pol es 4
- Supply inverter
- S1-S6 Nm 19.1/24.6
- Volt 380
- rpm 10000
- kg 70

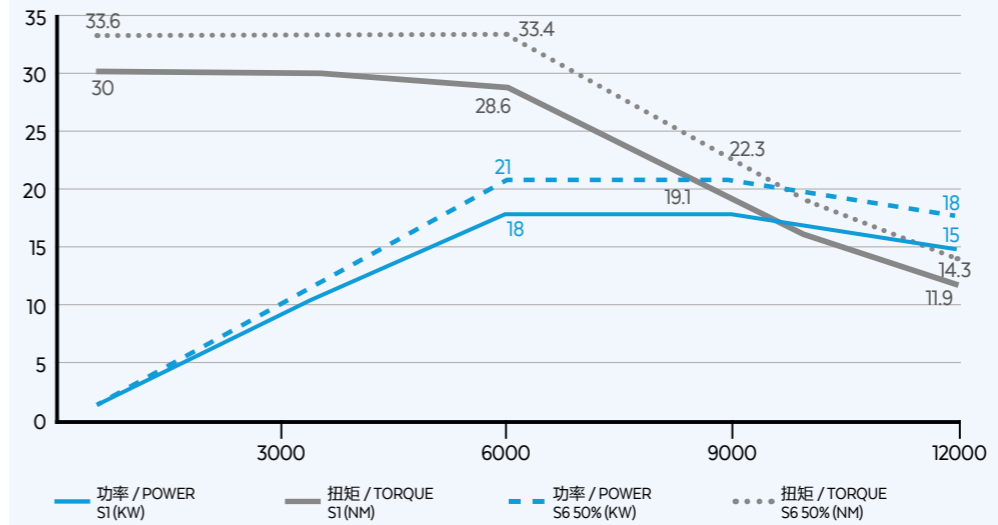
器材 / EQUIPMENT

- HSK 80F
- Electrofan cooling
- Single effect pneumatic cylinder
- Automatic tool change (A.T.C)
- Ceramic ball bearings
- Labyrinth with air seal
- Sensors s1, s2, s3
- Grease lubrication
- Plug & Play Quick connection PP spindle side
- Taper cleaning

QM-1F 18/6 12

HIGH TORQUE

性能 / PERFORMANCES



选配 / OPTIONS

- IM Bearings temperature monitoring
- IM² Speed monitoring
- IM Vibration sensor
- Plug & Play Quick connection pp machine side
- HSK 85S
- iS iSPINDLE

技术规格 / TECHNICAL SPECIFICATIONS

- S1-S6 kW 18/21
- S1-S6 A 37/42
- Pol es 4
- Supply inverter
- S1-S6 Nm 30/33.6
- Volt 380
- rpm 12000
- kg 70

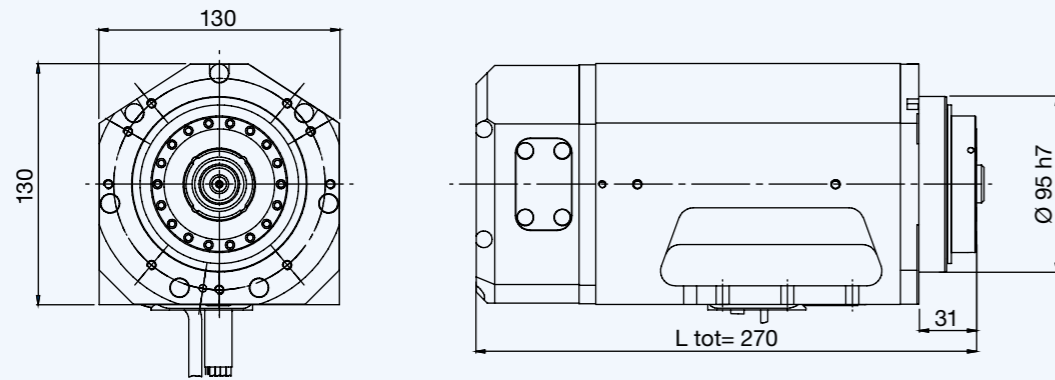
器材 / EQUIPMENT

- HSK 80F
- Electrofan cooling
- Single effect pneumatic cylinder
- Automatic tool change (A.T.C)
- Ceramic ball bearings
- Labyrinth with air seal
- Sensors s1, s2, s3
- Grease lubrication
- Plug & Play Quick connection PP spindle side
- Taper cleaning



SUITABLE FOR MACHINING WOOD AND ALUMINUM
HIGH POWER IN A VERY COMPACT BODY
SUITABLE FOR BI-ROTARY HEADS (50° AND 90°) AND ROBOT APPLICATIONS
AVAILABLE WITH ENCODER ON BOARD

LAYOUT HSK 63F

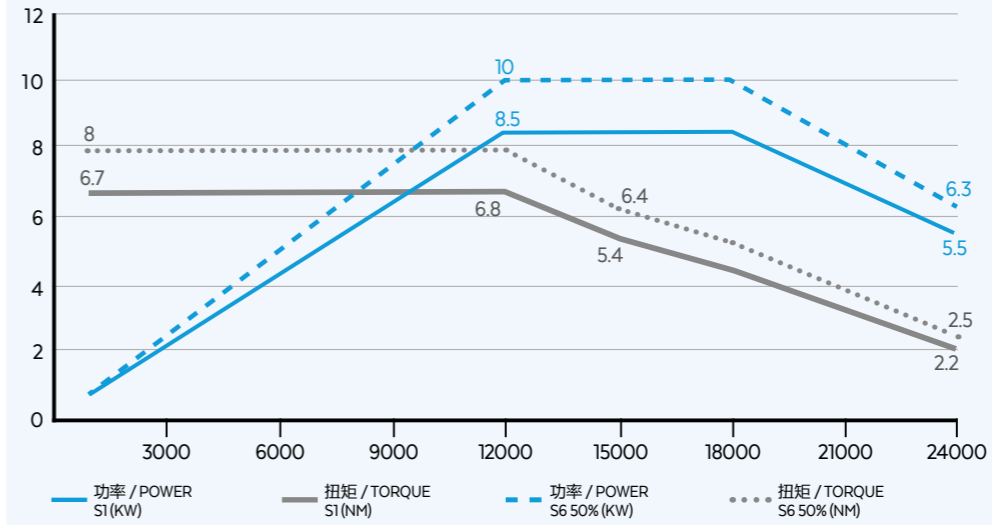


其他布局 / OTHER LAYOUTS

	ΔL	L tot
Encoder (1 Vpp or TTL)	+25 mm	295 mm

QX-2 8.5/12 24

性能 / PERFORMANCES



选配 / OPTIONS

- Encoder 1Vpp or TTL
- Bearings temperature monitoring
- Voltage 220V
- Speed monitoring
- Vibration sensor

技术规格 / TECHNICAL SPECIFICATIONS

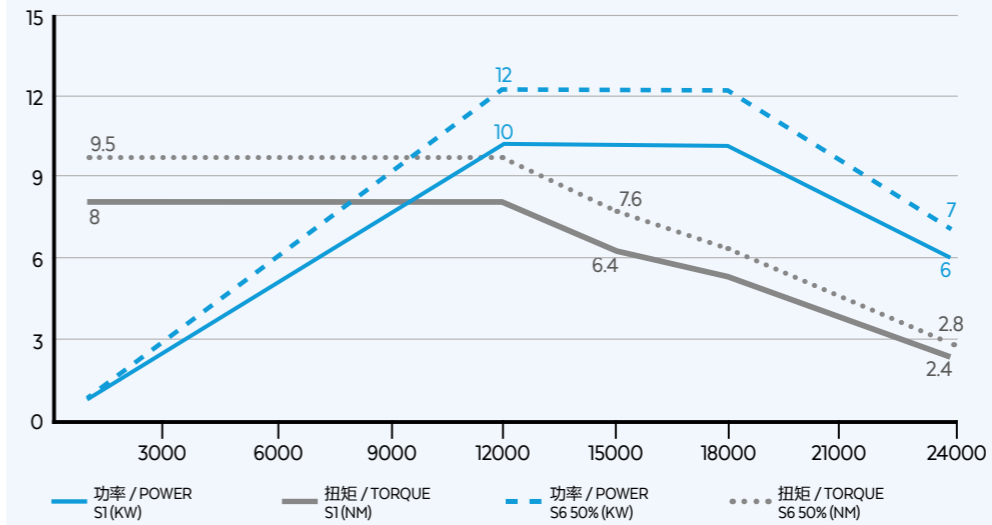
- S1-S6 kW 8.5/10
- S1-S6 A 20/22
- Pol es 4
- S1-S6 Nm 6.8/8
- Volt 380
- Supply inverter
- rpm 24000
- kg 18

器材 / EQUIPMENT

- HSK 63F
- Liquid cooling
- Single effect pneumatic cylinder
- Automatic tool change (A.T.C)
- Ceramic ball bearings
- Labyrinth with air seal
- Sensors s1, s2, s3, s5
- Grease lubrication
- Taper cleaning

QX-2 10/12 24

性能 / PERFORMANCES



选配 / OPTIONS

- Encoder 1Vpp or TTL
- Bearings temperature monitoring
- Voltage 220V
- Speed monitoring
- Vibration sensor

技术规格 / TECHNICAL SPECIFICATIONS

- S1-S6 kW 10/12
- S1-S6 A 23/26
- Pol es 4
- S1-S6 Nm 8/9.5
- Volt 380
- Supply inverter
- rpm 24000
- kg 19

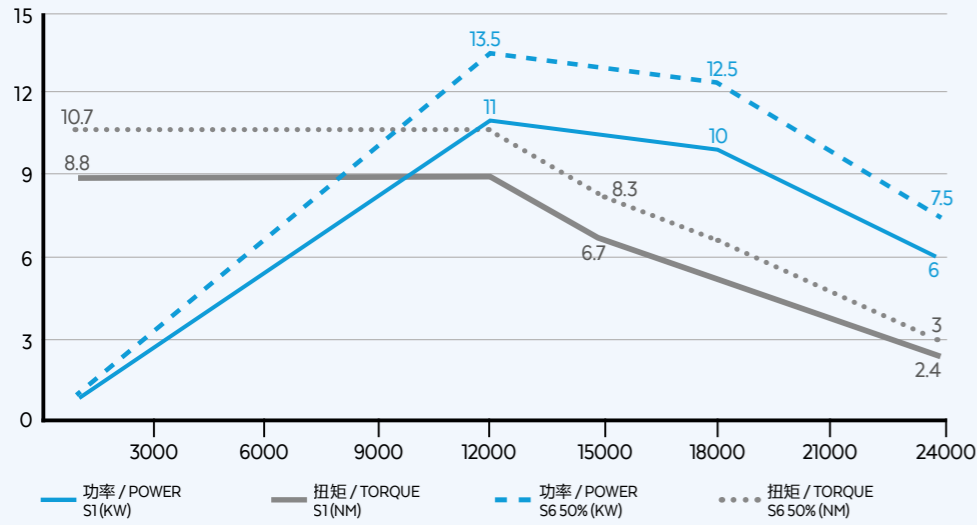
器材 / EQUIPMENT

- HSK 63F
- Liquid cooling
- Single effect pneumatic cylinder
- Automatic tool change (A.T.C)
- Ceramic ball bearings
- Labyrinth with air seal
- Sensors s1, s2, s3, s5
- Grease lubrication
- Taper cleaning

QX-2 11/12 24

LIQUID

性能 / PERFORMANCES



选配 / OPTIONS

- Encoder 1Vpp or TTL
- Bearings temperature monitoring
- Vibration sensor
- Speed monitoring

技术规格 / TECHNICAL SPECIFICATIONS

- S1-S6 kW 11/13.5
- S1-S6 A 24.5/29.5
- Pol es 4
- S1-S6 Nm 8.8/10.7
- Volt 380
- Supply inverter
- rpm 24000
- kg 19

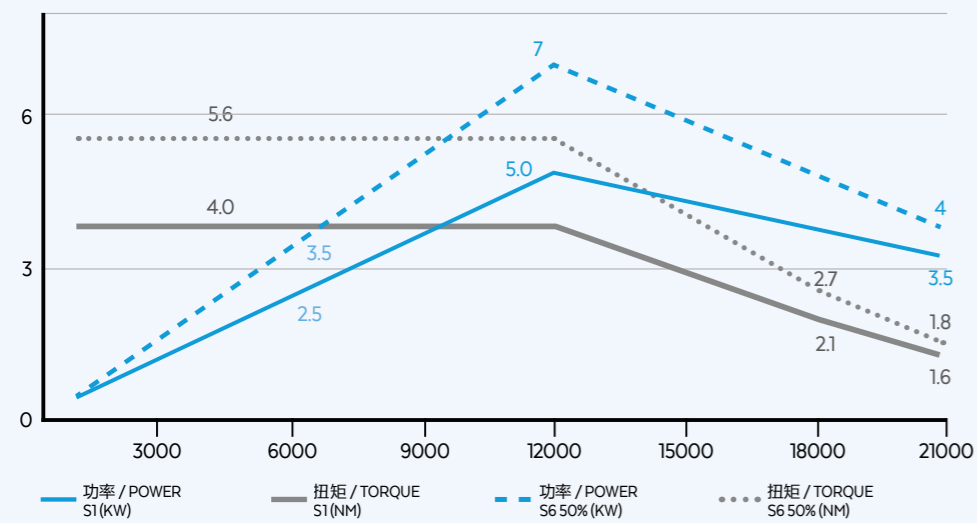
器材 / EQUIPMENT

- HSK 63F
- Liquid cooling
- Single effect pneumatic cylinder
- Automatic tool change (A.T.C)
- Ceramic ball bearings
- Labyrinth with air seal
- Sensors s1, s2, s3, s5
- Grease lubrication
- Taper cleaning

QX-1C 5/12 21

COMPRESSED AIR

性能 / PERFORMANCES



选配 / OPTIONS

- Encoder 1Vpp or TTL
- Bearings temperature monitoring
- Vibration sensor
- Speed monitoring

技术规格 / TECHNICAL SPECIFICATIONS

- S1-S6 kW 5/7
- S1-S6 A 23/26
- Pol es 4
- S1-S6 Nm 4/5.6
- Volt 380
- Supply inverter
- rpm 21000
- kg 18

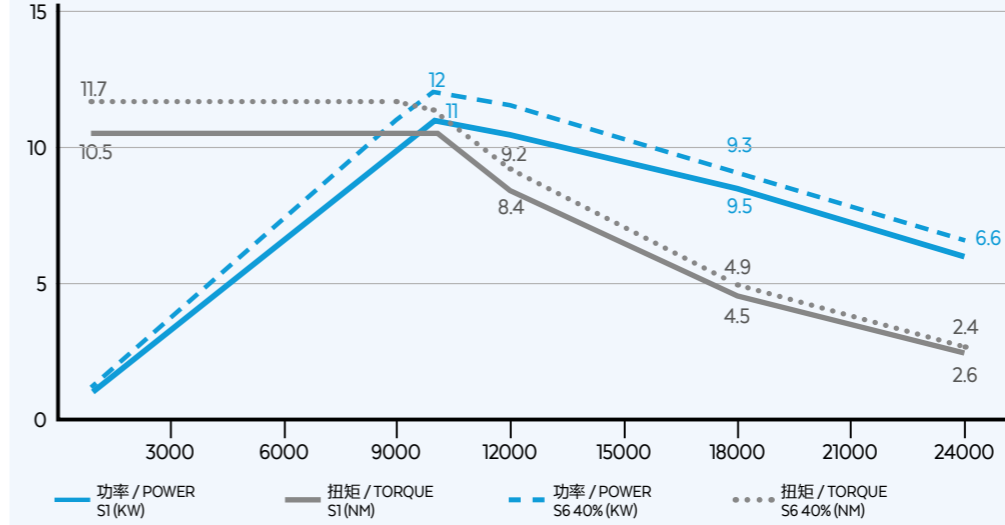
器材 / EQUIPMENT

- HSK 63F
- Compressed air cooling
- Single effect pneumatic cylinder
- Automatic tool change (A.T.C)
- Ceramic ball bearings
- Labyrinth with air seal
- Sensors s1, s2, s3, s5
- Grease lubrication
- Taper cleaning

QX-2 11/10 24 63F NC

HIGH TORQUE

性能 / PERFORMANCES



选配 / OPTIONS

- Encoder 1Vpp or TTL
- Bearings temperature monitoring
- Speed monitoring
- Vibration sensor
- Anti-rotation sleeves



技术规格 / TECHNICAL SPECIFICATIONS

- S1-S6 kW 11/12
- S1-S6 A 29/31
- Pol es 6
- S1-S6 Nm 10,5/11,7
- Volt 380
- Supply inverter
- rpm 24000
- kg 21

器材 / EQUIPMENT

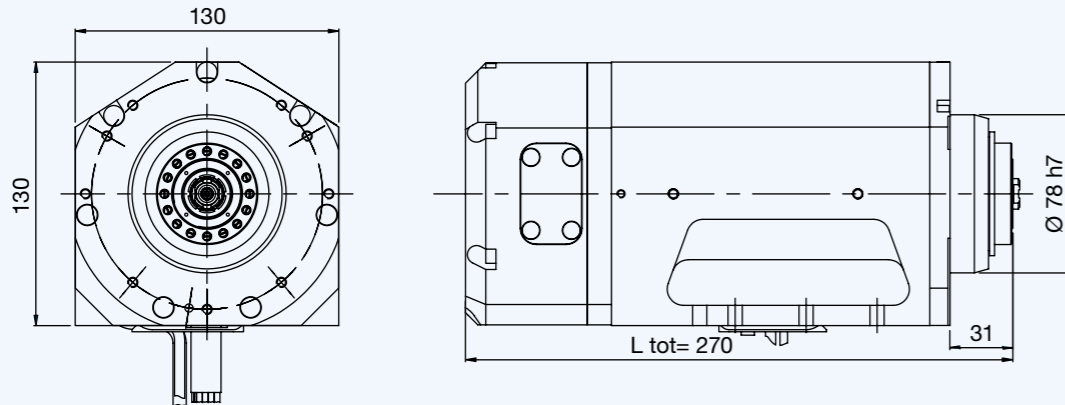
- HSK 63F
- Liquid cooling
- Single effect pneumatic cylinder
- Automatic tool change (A.T.C)
- Ceramic ball bearings
- Labyrinth with air seal
- Sensors s1, s2, s3, s5
- Grease lubrication
- Taper cleaning

ROBOTECH QX HIGH SPEED



SUITABLE FOR MACHINING PLASTICS, ALUMINUM AND COMPOSITES
HIGH SPEED UP TO 40K RPM
SUITABLE FOR BI-ROTARY HEADS (50° AND 90°) AND ROBOT APPLICATIONS
AVAILABLE WITH ENCODER ON BOARD

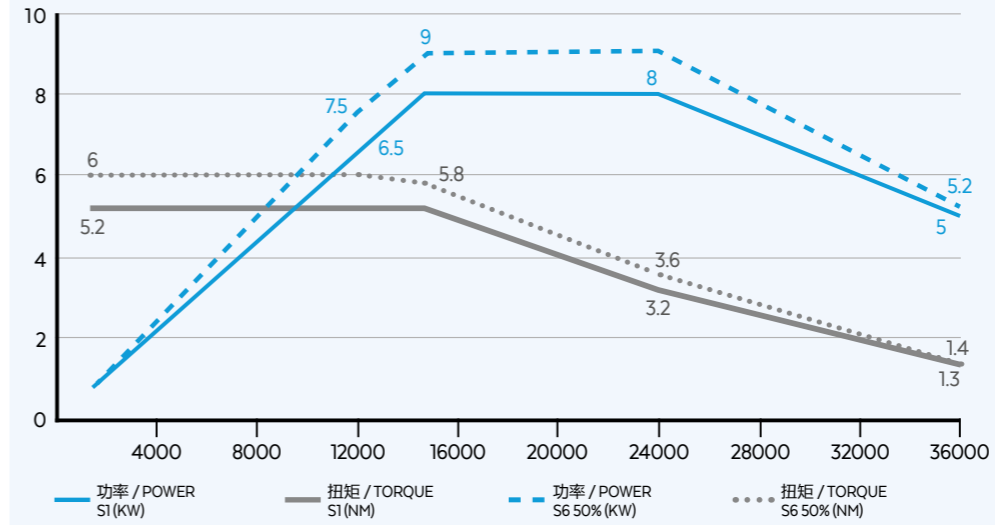
LAYOUT HSK 32E / HSK 40E



HIGH SPEED

QX-2 8/15 36

性能 / PERFORMANCES



选配 / OPTIONS

- Encoder TVpp or TTL
- Bearings temperature monitoring
- Speed monitoring
- Vibration sensor
- Anti-rotation sleeves

技术规格 / TECHNICAL SPECIFICATIONS

- S1-S6 kW 8/9
- S1-S6 A 23/25
- Pol es 4
- S1-S6 Nm 5.2/6
- Volt 380
- Supply inverter
- rpm 36000
- kg 18

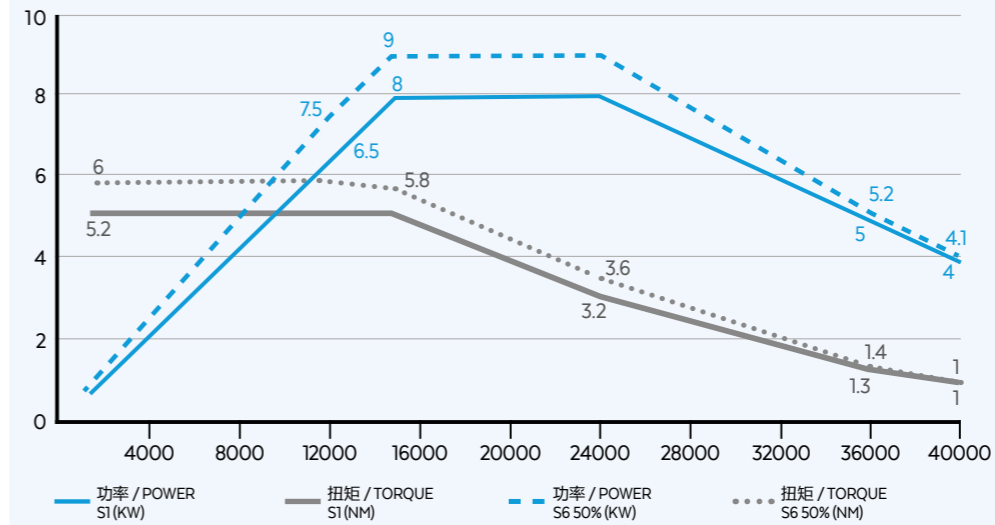
器材 / EQUIPMENT

- HSK 40E
- Liquid cooling
- Single effect pneumatic cylinder
- Automatic tool change (A.T.C)
- Ceramic ball bearings
- Labyrinth with air seal
- Sensors s1, s2, s3, s5
- Grease lubrication
- Taper cleaning

QX-2 8/15 40

HIGH SPEED

性能 / PERFORMANCES



选配 / OPTIONS

- Encoder TVpp or TTL
- Bearings temperature monitoring
- Speed monitoring
- Vibration sensor
- Anti-rotation sleeves

技术规格 / TECHNICAL SPECIFICATIONS

- S1-S6 kW 8/9
- S1-S6 A 23/25
- Pol es 4
- S1-S6 Nm 5.2/6
- Volt 380
- Supply inverter
- rpm 40000
- kg 18

器材 / EQUIPMENT

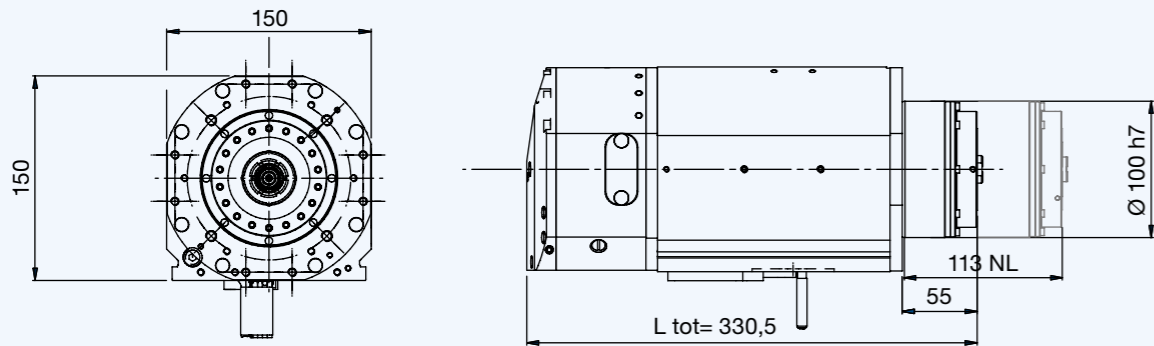
- HSK 32E
- Liquid cooling
- Single effect pneumatic cylinder
- Automatic tool change (A.T.C)
- Ceramic ball bearings
- Labyrinth with air seal
- Sensors s1, s2, s3, s5
- Grease lubrication
- Taper cleaning

ROBOTECH PX-HX

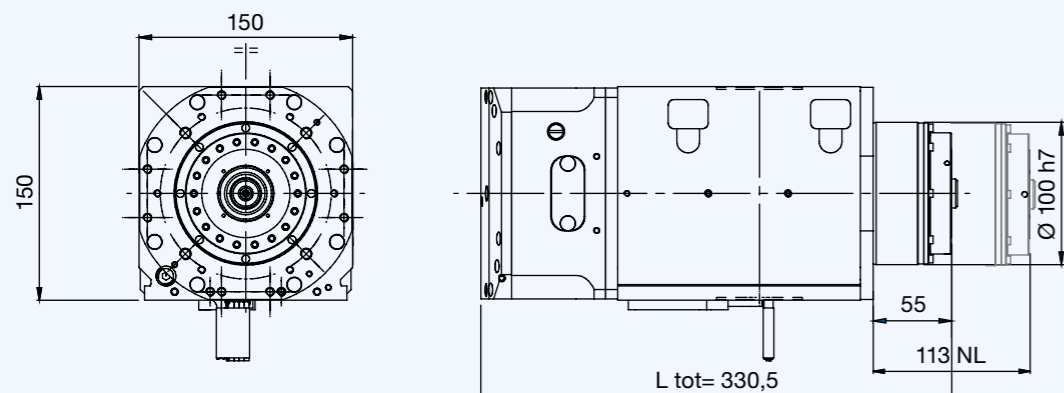


SUITABLE FOR MACHINING WOOD, PLASTICS, ALUMINUM AND COMPOSITES
POWER UP TO 20 KW AND HIGH TORQUES FOR HEAVY MACHINING
OPTIMAL DESIGN FOR BI-ROTARY HEADS (50° AND 90°)
AND ROBOT APPLICATIONS
AVAILABLE WITH ENCODER ON BOARD,
LONG NOSE WITH 3 FRONT BEARINGS, AIR TOOL, MQL AND OIL MIST
AVAILABLE WITH HSK63F, HSK 63E AND HSK 63A

LAYOUT PX HSK 63F



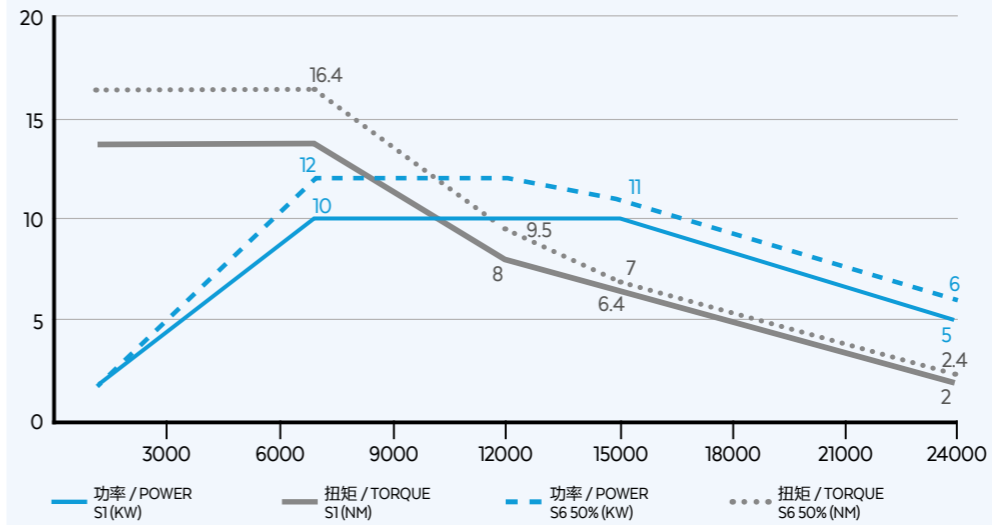
LAYOUT HX HSK 63F



HIGH TORQUE

PX/HX-2 10/7 24

性能 / PERFORMANCES



选配 / OPTIONS

- Encoder TVpp or TTL
- Long nose
- Air tool
- Oil mist/MQL
- Anti-rotation sleeves
- Bearings temperature monitoring
- Speed monitoring
- Vibration sensor
- HSK 63E/63A

技术规格 / TECHNICAL SPECIFICATIONS

- S1-S6 kW 10/12
- S1-S6 Nm 13.6/16.4
- rpm 24000
- S1-S6 A 21/25
- Volt 380
- kg 25
- Pol es 4
- Supply inverter

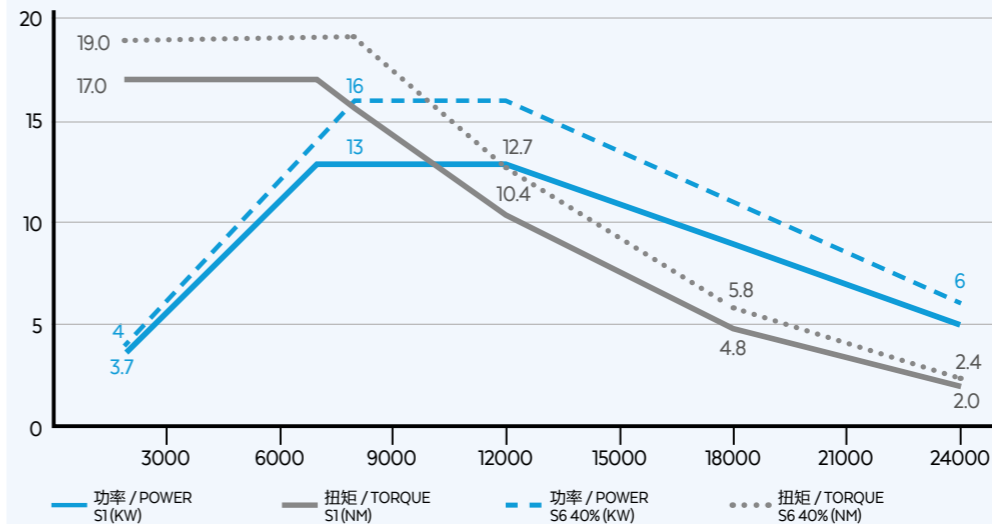
器材 / EQUIPMENT

- HSK 63F
- Ceramic ball bearings
- Taper cleaning
- Liquid cooling
- Labyrinth with air seal
- Single effect pneumatic cylinder
- Sensors s1, s2, s3, s5
- Automatic tool change (A.T.C)
- Grease lubrication

PX/HX-2 13/7 24

HIGH TORQUE

性能 / PERFORMANCES



选配 / OPTIONS

- Encoder TVpp or TTL
- Long nose
- Air tool
- Oil mist/MQL
- Anti-rotation sleeves
- Bearings temperature monitoring
- Speed monitoring
- Vibration sensor
- HSK 63E/63A



技术规格 / TECHNICAL SPECIFICATIONS

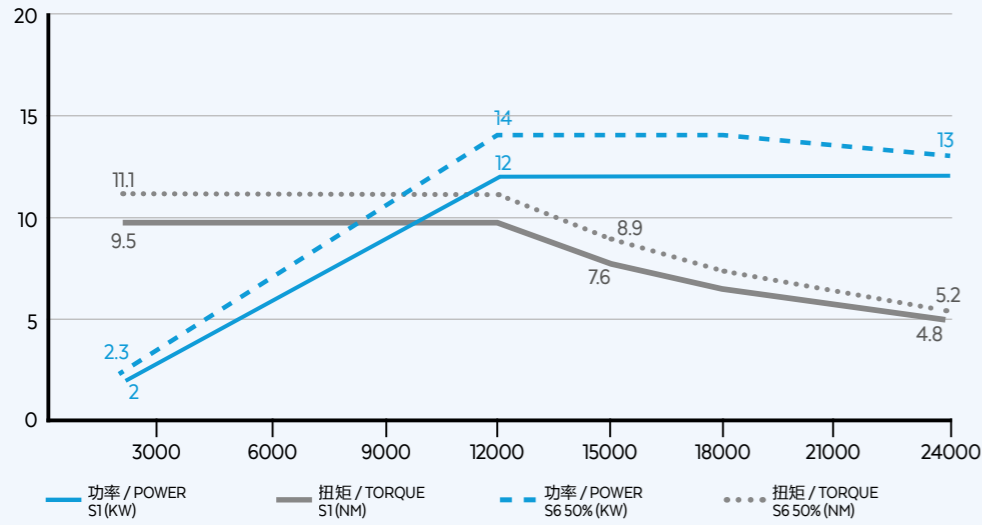
- S1-S6 kW 13/16
- S1-S6 Nm 17/19
- rpm 24000
- S1-S6 A 35/39
- Volt 380
- kg 23
- Pol es 6
- Supply inverter

器材 / EQUIPMENT

- HSK 63F
- Ceramic ball bearings
- Taper cleaning
- Liquid cooling
- Labyrinth with air seal
- Single effect pneumatic cylinder
- Sensors s1, s2, s3, s5
- Automatic tool change (A.T.C)
- Grease lubrication

PX/HX-2 12/12 24

性能 / PERFORMANCES



选配 / OPTIONS

- Encoder 1Vpp or TTL
- Long nose
- Air tool
- Oil mist/MQL
- Anti-rotation sleeves
- Bearings temperature monitoring
- Speed monitoring
- Vibration sensor
- HSK 63E/63A

技术规格 / TECHNICAL SPECIFICATIONS

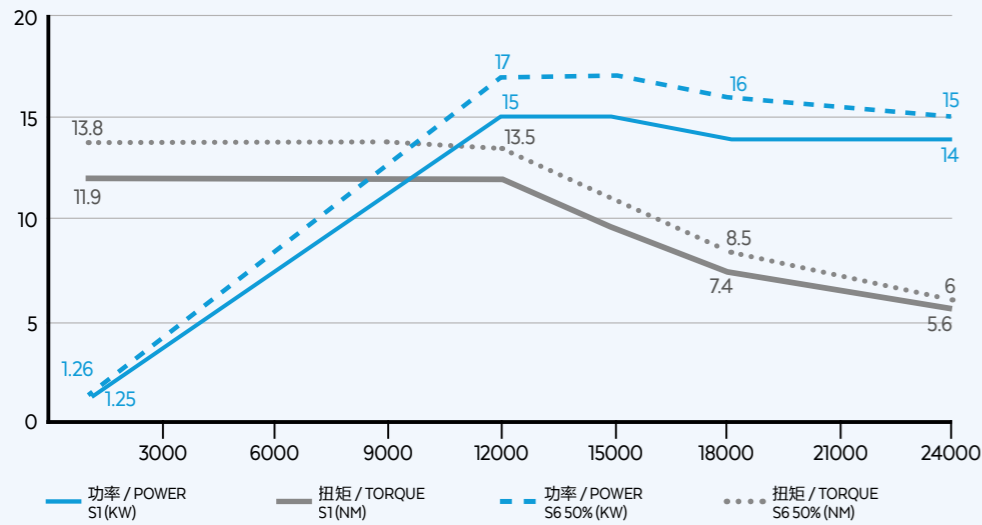
- S1-S6 kW 12/14
- S1-S6 A 26/29
- Pol es 4
- S1-S6 Nm 9.5/11.1
- Volt 380
- Supply inverter
- rpm 24000
- kg 25

器材 / EQUIPMENT

- HSK 63F
- Liquid cooling
- Single effect pneumatic cylinder
- Automatic tool change (A.T.C)
- Ceramic ball bearings
- Labyrinth with air seal
- Sensors s1, s2, s3, s5
- Grease lubrication
- Taper cleaning

PX/HX-2 15/12 24

性能 / PERFORMANCES



选配 / OPTIONS

- Encoder 1Vpp or TTL
- Long nose
- Air tool
- Oil mist/MQL
- Anti-rotation sleeves
- Bearings temperature monitoring
- Speed monitoring
- Vibration sensor
- HSK 63E/63A

技术规格 / TECHNICAL SPECIFICATIONS

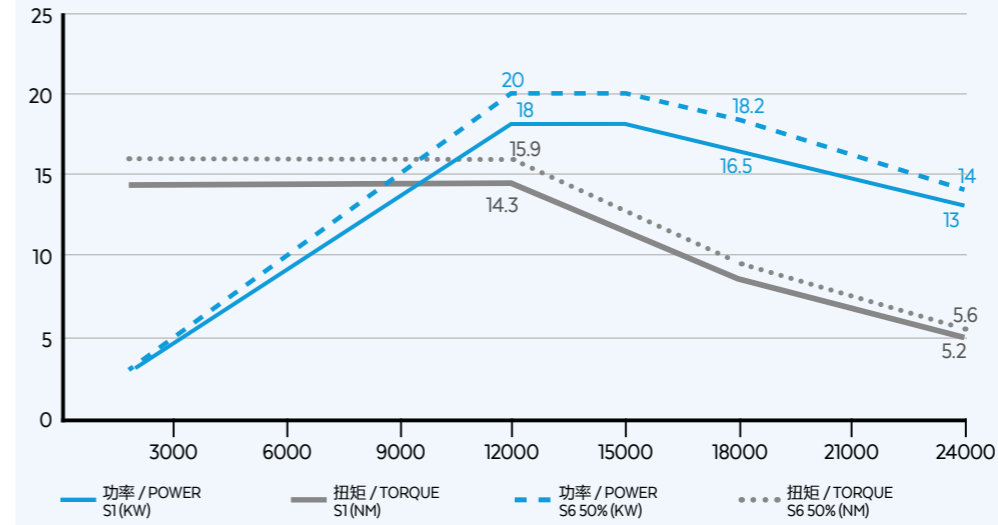
- S1-S6 kW 15/17
- S1-S6 A 30/33
- Pol es 4
- S1-S6 Nm 11.9/13.8
- Volt 380
- Supply inverter
- rpm 24000
- kg 25

器材 / EQUIPMENT

- HSK 63F
- Liquid cooling
- Single effect pneumatic cylinder
- Automatic tool change (A.T.C)
- Ceramic ball bearings
- Labyrinth with air seal
- Sensors s1, s2, s3, s5
- Grease lubrication
- Taper cleaning

PX/HX-2 18/12 24

性能 / PERFORMANCES



选配 / OPTIONS

- Encoder 1Vpp or TTL
- Long nose
- Air tool
- Oil mist/MQL
- Anti-rotation sleeves
- Bearings temperature monitoring
- Speed monitoring
- Vibration sensor
- HSK 63E/63A

技术规格 / TECHNICAL SPECIFICATIONS

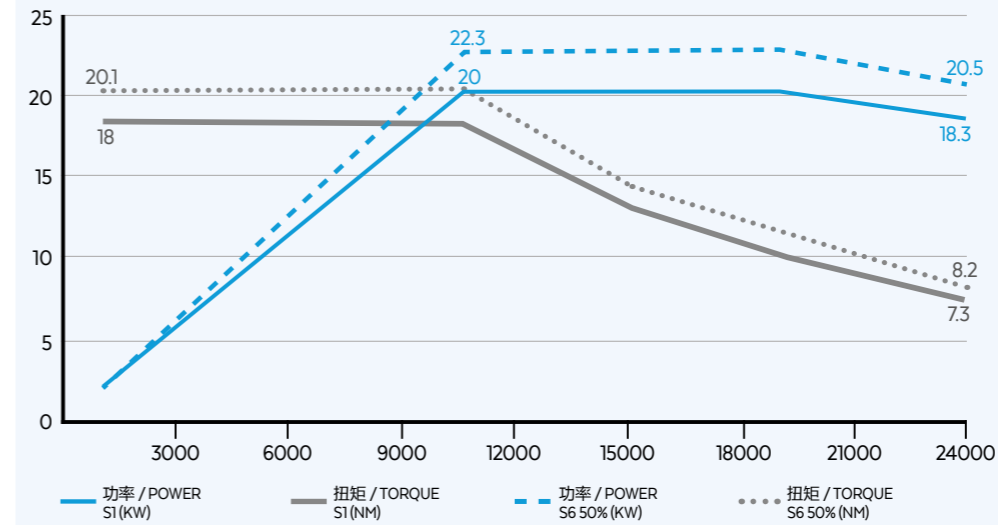
- S1-S6 kW 18/20
- S1-S6 A 35/38.5
- Pol es 4
- S1-S6 Nm 14.3/15.9
- Volt 380
- Supply inverter
- rpm 24000
- kg 25

器材 / EQUIPMENT

- HSK 63F
- Liquid cooling
- Single effect pneumatic cylinder
- Automatic tool change (A.T.C)
- Ceramic ball bearings
- Labyrinth with air seal
- Sensors s1, s2, s3, s5
- Grease lubrication
- Taper cleaning

PX/HX-2 20/10 24 (SYNCHRONOUS)

性能 / PERFORMANCES



选配 / OPTIONS

- Long nose
- Air tool
- Oil mist/MQL
- Anti-rotation sleeves
- Bearings temperature monitoring
- Speed monitoring
- Vibration sensor
- HSK 63E

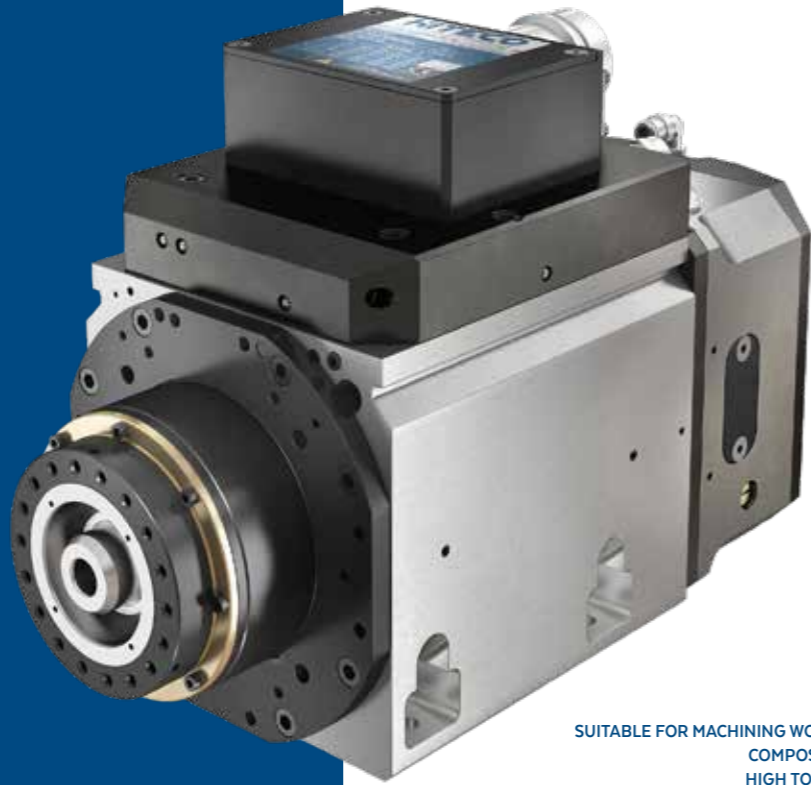
技术规格 / TECHNICAL SPECIFICATIONS

- S1-S6 kW 20/22.3
- S1-S6 A 48/50
- Pol es 4
- S1-S6 Nm 17.8/20.1
- Volt 380
- Supply inverter
- rpm 24000
- kg 25

器材 / EQUIPMENT

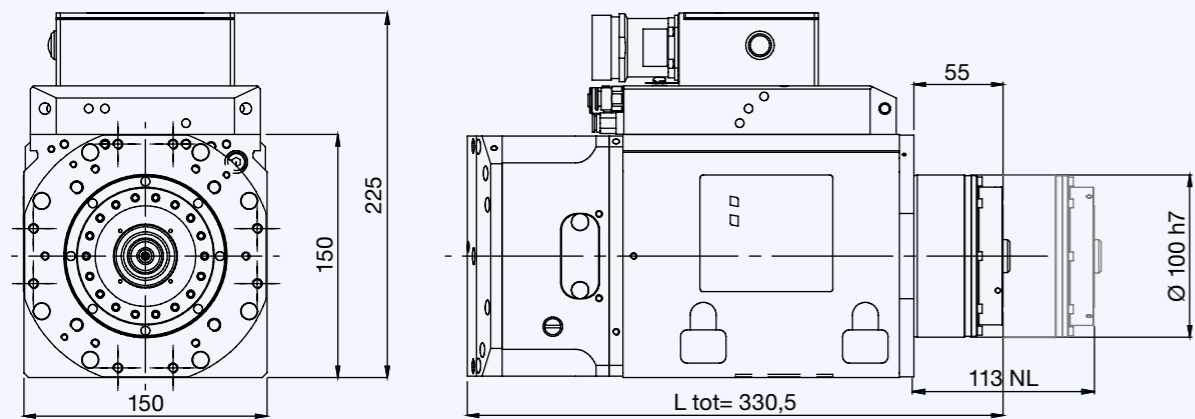
- HSK 63A
- Liquid cooling
- Single effect pneumatic cylinder
- Automatic tool change (A.T.C)
- Ceramic ball bearings
- Labyrinth with air seal
- Sensors s1, s2, s3, s5
- Grease lubrication
- Taper cleaning
- Encoder 1Vpp

ROBOTECH HX 3C



SUITABLE FOR MACHINING WOOD, PLASTICS, ALUMINUM AND COMPOSITES POWER UP TO 20 KW AND HIGH TORQUES FOR HEAVY MACHINING
OPTIMAL DESIGN FOR 3-AXIS MACHINES CONNECTION TO THE MACHINE WITH COMMERCIAL CONNECTORS AVAILA WITH ENCODER ON BOARD, LONG NOSE WITH 23 FRONT BEARINGS, AIR TOOL, MQL AND OIL MIST

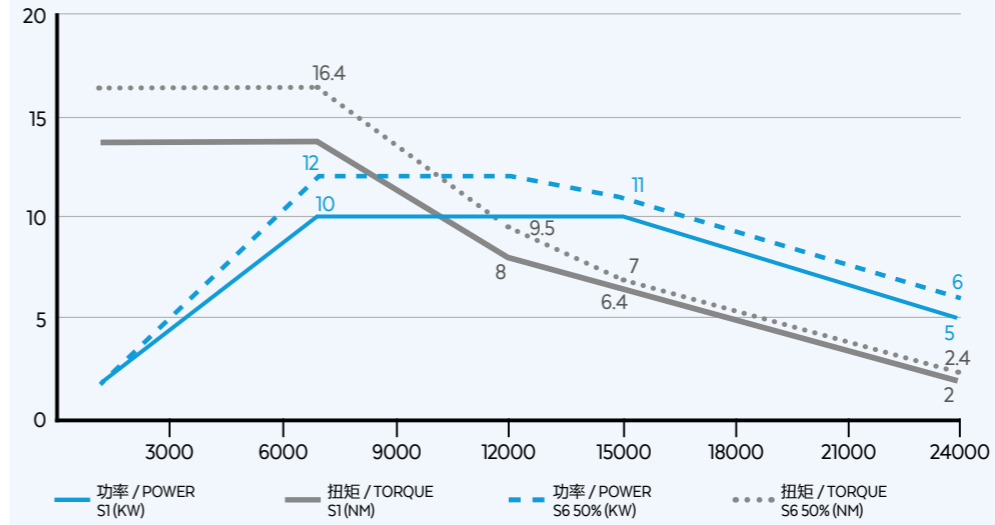
LAYOUT HSK 63F 3C



HX-2 10/7 24 3C

HIGH TORQUE

性能 / PERFORMANCES



选配 / OPTIONS

- Encoder TVpp or TTL
- Circular connector cc machine side
- Long nose
- Air tool
- Oil mist/MQL
- Bearings temperature monitoring
- Speed monitoring
- Vibration sensor
- HSK 63E/63A
- Anti-rotation sleeves

技术规格 / TECHNICAL SPECIFICATIONS

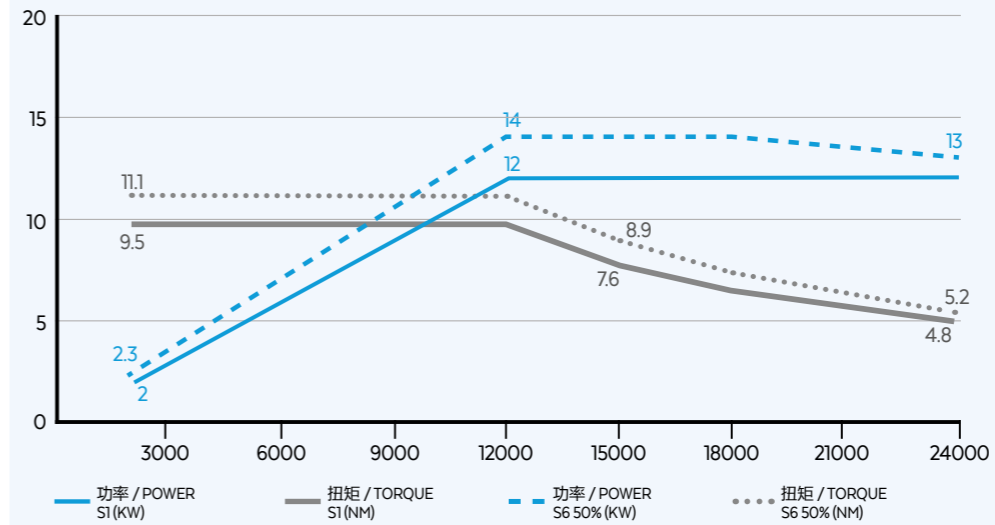
- S1-S6 kW 10/12
- S1-S6 Nm 13.6/16.4
- rpm 24000
- S1-S6 A 21/25
- Volt 380
- kg 25
- Pol es 4
- Supply inverter

器材 / EQUIPMENT

- HSK 63F
- Ceramic ball bearings
- Circular connector cc spindle side
- Liquid cooling
- Labyrinth with air seal
- Taper cleaning
- Single effect pneumatic cylinder
- Sensors s1, s2, s3, s5
- Automatic tool change (A.T.C)
- Grease lubrication

HX-2 12/12 24 3C

性能 / PERFORMANCES



选配 / OPTIONS

- Encoder TVpp or TTL
- Circular connector cc machine side
- Long nose
- Air tool
- Oil mist/MQL
- Bearings temperature monitoring
- Speed monitoring
- Vibration sensor
- HSK 63E/63A
- Anti-rotation sleeves

技术规格 / TECHNICAL SPECIFICATIONS

- S1-S6 kW 12/14
- S1-S6 Nm 9.5/11.1
- rpm 24000
- S1-S6 A 26/29
- Volt 380
- kg 25
- Pol es 4
- Supply inverter

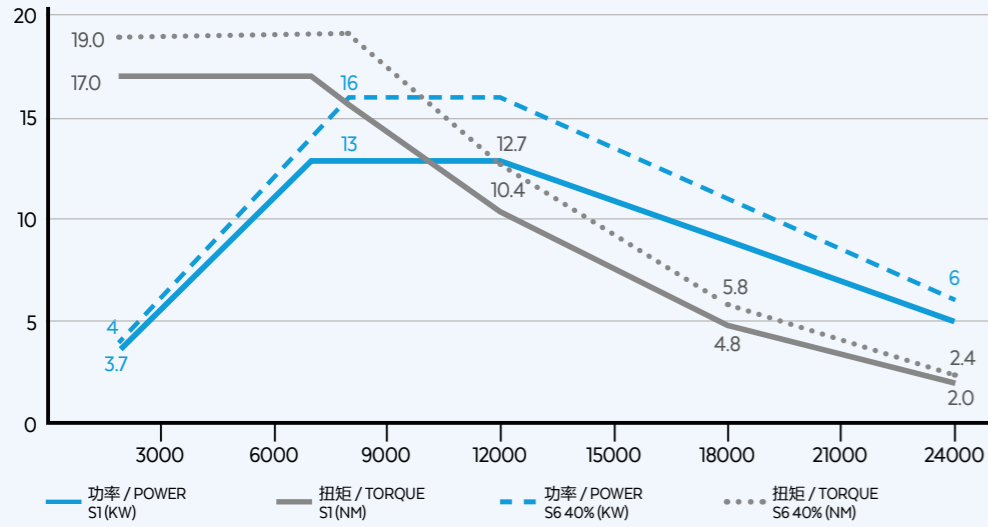
器材 / EQUIPMENT

- HSK 63F
- Ceramic ball bearings
- Circular connector cc spindle side
- Liquid cooling
- Labyrinth with air seal
- Taper cleaning
- Single effect pneumatic cylinder
- Sensors s1, s2, s3, s5
- Automatic tool change (A.T.C)
- Grease lubrication

HX-2 13/7 24

HIGH TORQUE

性能 / PERFORMANCES



选配 / OPTIONS

- Encoder TVpp or TTL
- Long nose
- Air tool
- Oil mist/MQL
- Anti-rotation sleeves
- Bearings temperature monitoring
- Speed monitoring
- Vibration sensor
- HSK 63E/63A



技术规格 / TECHNICAL SPECIFICATIONS

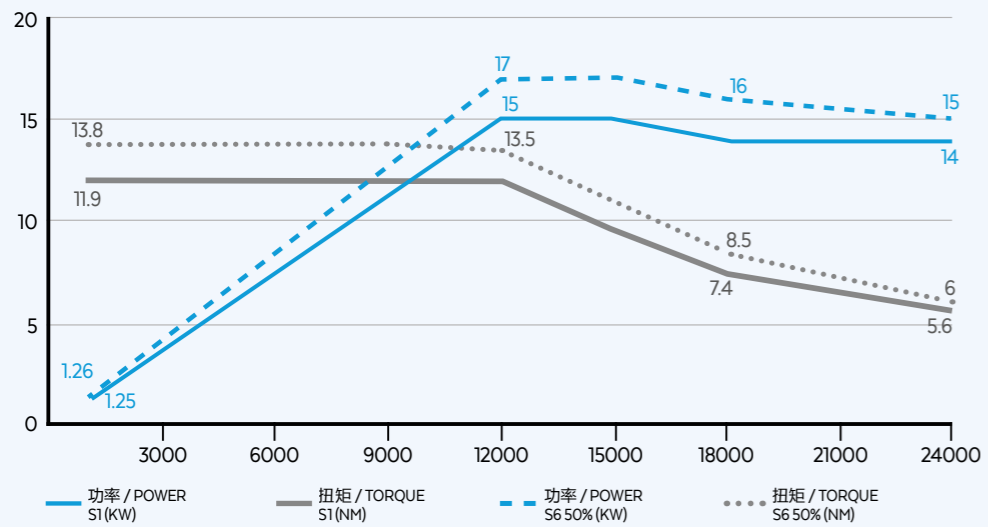
- S1-S6 kW 13/14
- S1-S6 A 35/39
- Pol es 6
- S1-S6 Nm 17/19
- Volt 380
- Supply inverter
- rpm 24000
- kg 23

器材 / EQUIPMENT

- HSK 63F
- Liquid cooling
- Single effect pneumatic cylinder
- Automatic tool change (A.T.C)
- Ceramic ball bearings
- Labyrinth with air seal
- Sensors s1, s2, s3, s5
- Grease lubrication
- Taper cleaning

HX-2 15/12 24 3C

性能 / PERFORMANCES



选配 / OPTIONS

- Encoder TVpp or TTL
- Circular connector cc machine side
- Long nose
- Air tool
- Oil mist/MQL
- Bearings temperature monitoring
- Speed monitoring
- Vibration sensor
- HSK 63E/63A
- Anti-rotation sleeves

技术规格 / TECHNICAL SPECIFICATIONS

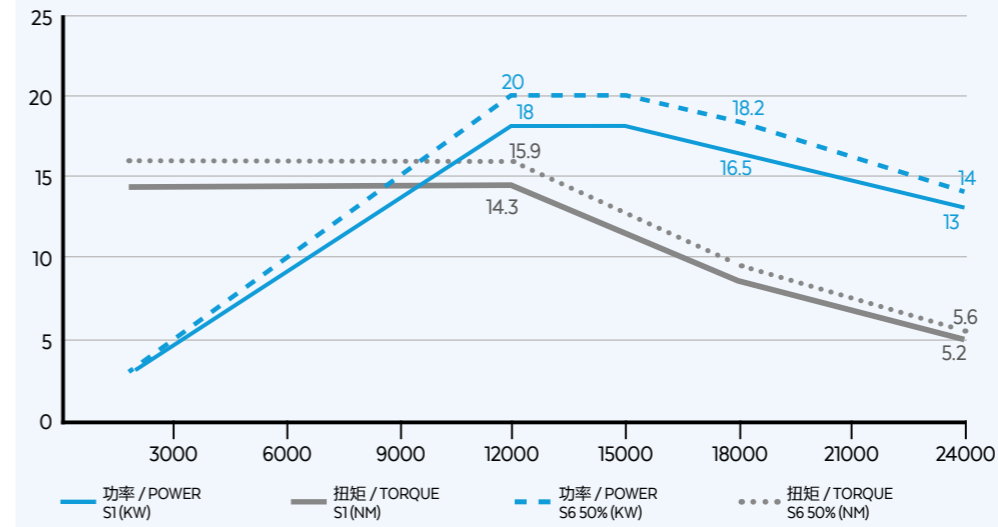
- S1-S6 kW 15/17
- S1-S6 A 30/33
- Pol es 4
- S1-S6 Nm 11.9/13.8
- Volt 380
- Supply inverter
- rpm 24000
- kg 25

器材 / EQUIPMENT

- HSK 63F
- Liquid cooling
- Single effect pneumatic cylinder
- Automatic tool change (A.T.C)
- Ceramic ball bearings
- Labyrinth with air seal
- Sensors s1, s2, s3, s5
- Grease lubrication
- Circular connector cc spindle side
- Taper cleaning

HX-2 18/12 24 3C

性能 / PERFORMANCES



选配 / OPTIONS

- Encoder TVpp or TTL
- Circular connector cc machine side
- Long nose
- Air tool
- Oil mist/MQL
- Bearings temperature monitoring
- Speed monitoring
- Vibration sensor
- HSK 63E/63A
- Anti-rotation sleeves

技术规格 / TECHNICAL SPECIFICATIONS

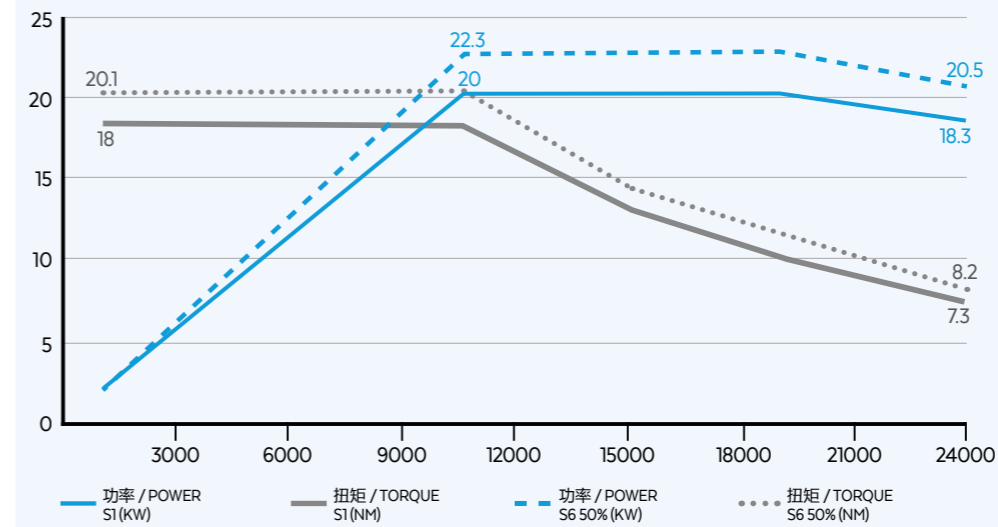
- S1-S6 kW 18/20
- S1-S6 A 35/38.5
- Pol es 4
- S1-S6 Nm 14.3/15.9
- Volt 380
- Supply inverter
- rpm 24000
- kg 25

器材 / EQUIPMENT

- HSK 63F
- Liquid cooling
- Single effect pneumatic cylinder
- Automatic tool change (A.T.C)
- Ceramic ball bearings
- Labyrinth with air seal
- Sensors s1, s2, s3, s5
- Grease lubrication
- Circular connector cc spindle side
- Taper cleaning

HX-2 20/10 24 3C (SYNCHRONOUS)

性能 / PERFORMANCES



选配 / OPTIONS

- Long nose
- Air tool
- Oil mist/MQL
- Circular connector cc machine side
- Anti-rotation sleeves
- Bearings temperature monitoring
- Speed monitoring
- Vibration sensor
- HSK 63E

技术规格 / TECHNICAL SPECIFICATIONS

- S1-S6 kW 20/22.3
- S1-S6 A 48/50
- Pol es 4
- S1-S6 Nm 17.8/20.1
- Volt 380
- Supply inverter
- rpm 24000
- kg 25

器材 / EQUIPMENT

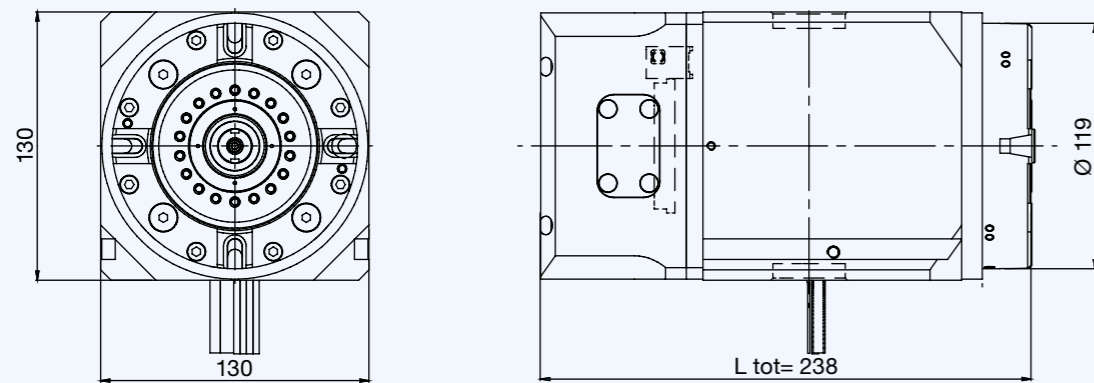
- HSK 63A
- Liquid cooling
- Single effect pneumatic cylinder
- Automatic tool change (A.T.C)
- Ceramic ball bearings
- Labyrinth with air seal
- Sensors s1, s2, s3, s5
- Grease lubrication
- Circular connector cc spindle side
- Taper cleaning
- Encoder TVpp

ROBOTECH HD



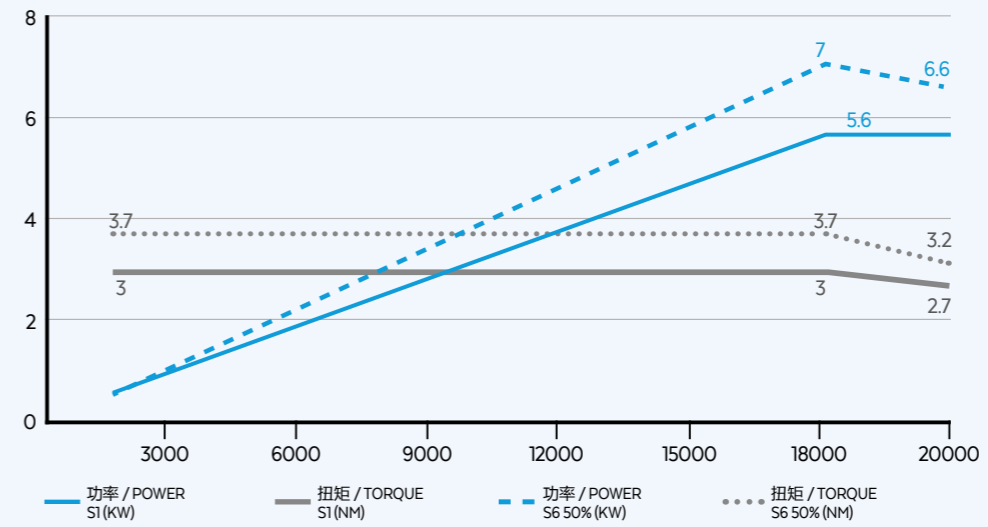
SUITABLE FOR MACHINING ALUMINUM AND COMPOSITES
OPTIMAL DESIGN FOR BIROTARY HEADS (90°)
TWO INDEPENDENT TOOL LUBRICATION CHANNELS
ANTI-ROTATION PRESET FOR AGGREGATE CONNECTION
AVAILABLE WITH HSK 50F AND HSK 40E

LAYOUT HSK 50F



HD-2 5.6/18 20

性能 / PERFORMANCES



选配 / OPTIONS

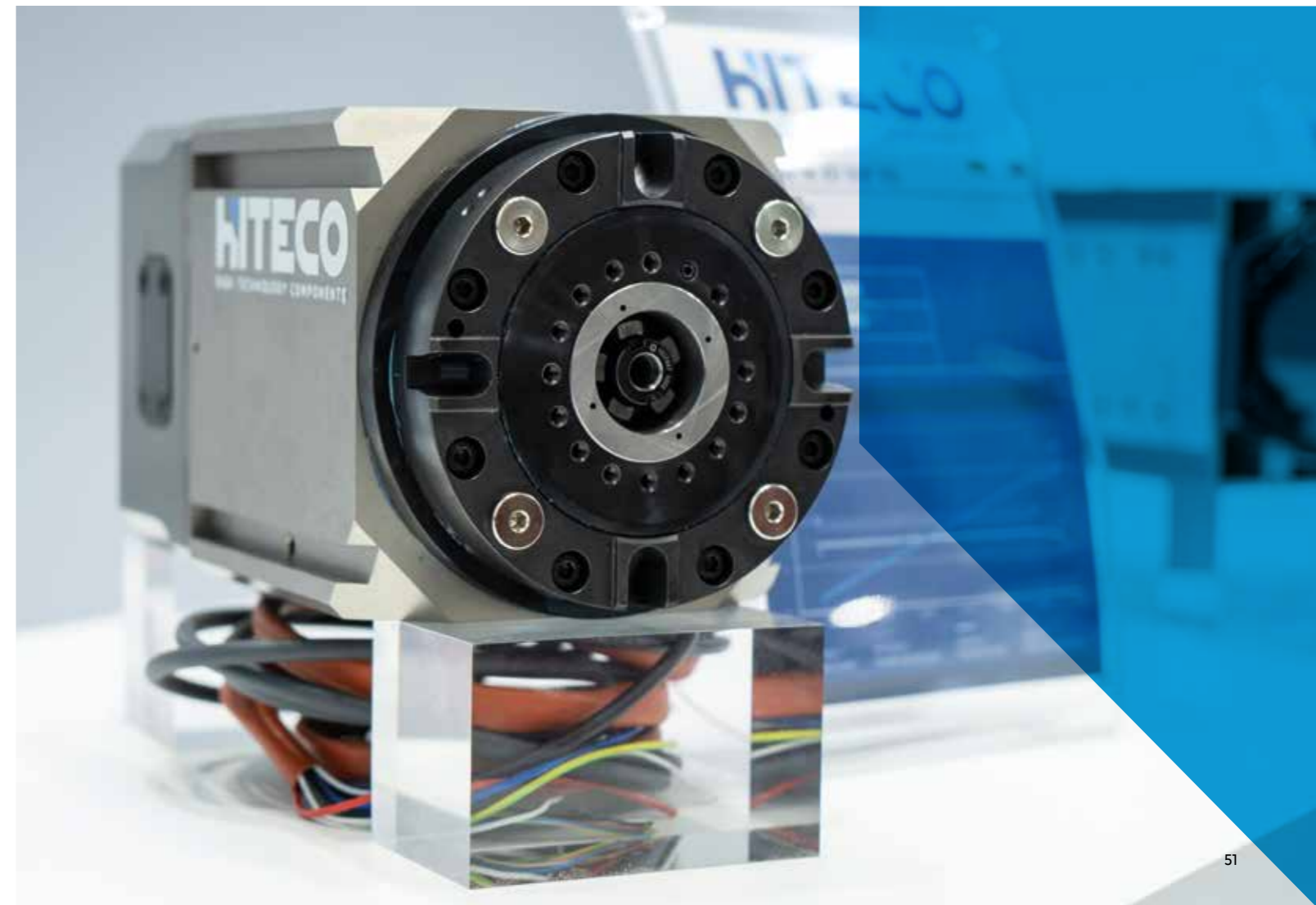
- Encoder TVpp or TTL
- Sensor s5
- HSK 40E
- Anti-rotation sleeves

技术规格 / TECHNICAL SPECIFICATIONS

- Power: 5.6/7 kW
- Current: 12/14 A
- Speed: 20000 rpm
- Voltage: 380 Volt
- Weight: 18 kg
- Pol es: 4
- Supply: inverter

器材 / EQUIPMENT

- HSK 50F
- Ceramic ball bearings
- Taper cleaning
- Liquid cooling
- Labyrinth with air seal
- Single effect pneumatic cylinder
- Sensors s1, s2, s3
- Automatic tool change (A.T.C)
- Grease lubrication

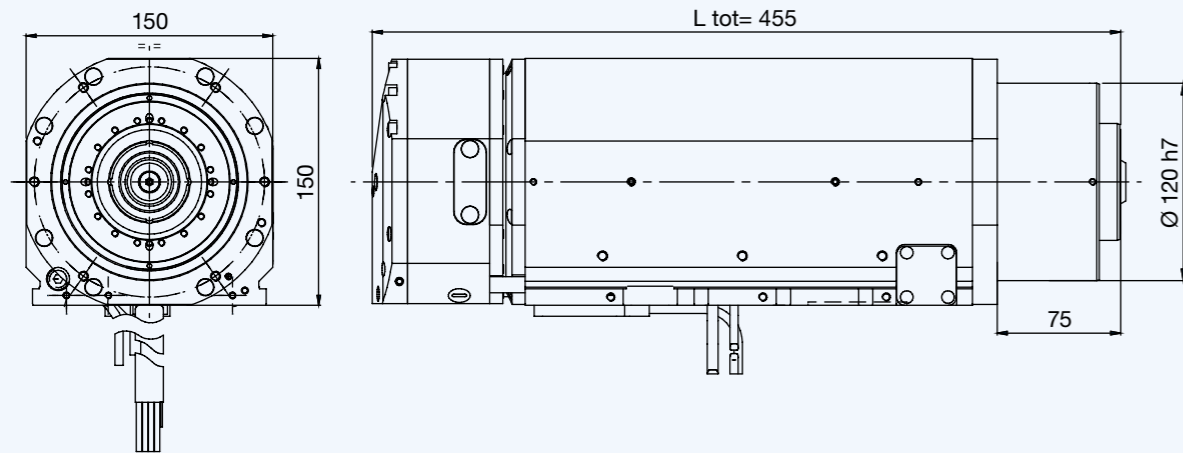


ROBOTECH QT



SUITABLE FOR MACHINING WOODEN BEAMS
POWER UP TO 25 KW AND HIGH TORQUES FOR HEAVY MACHINING
OPTIMAL DESIGN FOR 90° BIROTARY HEADS (50° AND 90°)
AVAILABLE WITH HSK 63E

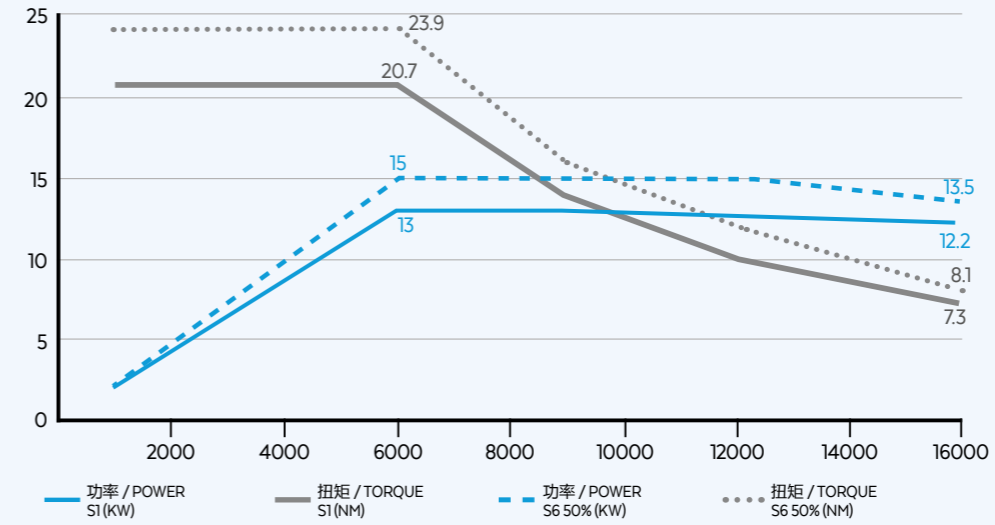
LAYOUT HSK 63E



QT-2 13/6 16

LIQUID HIGH TORQUE

性能 / PERFORMANCES



选配 / OPTIONS

- Encoder 1Vpp or TTL
- plate and pp cable connection

技术规格 / TECHNICAL SPECIFICATIONS

- S1-S6 kW 13/15
- S1-S6 A 30/35
- Pol es 4
- S1-S6 Nm 20.7/23.9
- Volt 400
- Supply inverter
- rpm 16000
- kg 36

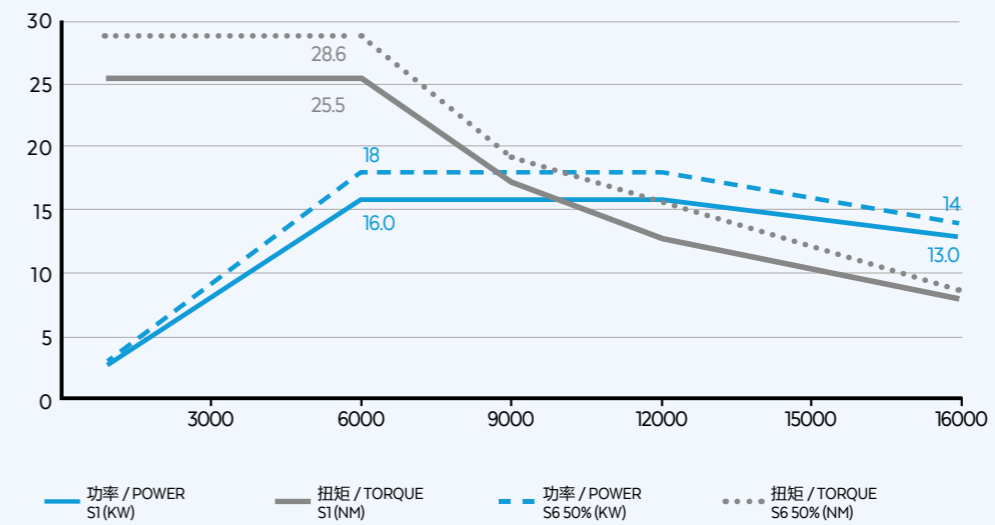
器材 / EQUIPMENT

- HSK 63E
- Liquid cooling
- Single effect pneumatic cylinder
- Automatic tool change (A.T.C)
- Ceramic ball bearings
- Labyrinth with air seal
- Sensors S1, S2, S3, S5
- Grease lubrication
- Taper cleaning

QT-2 16/6 16

LIQUID HIGH TORQUE

性能 / PERFORMANCES



选配 / OPTIONS

- plate and pp cable connection
- NEW

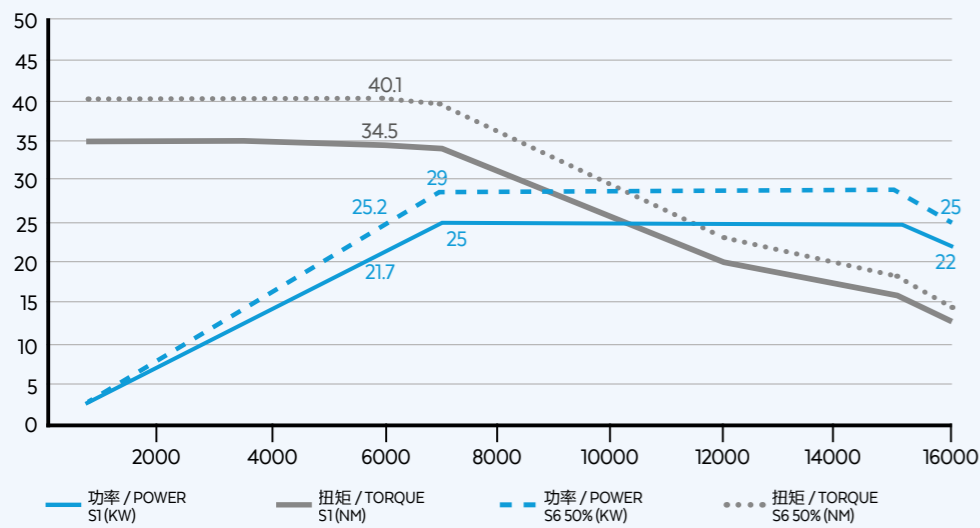
技术规格 / TECHNICAL SPECIFICATIONS

- S1-S6 kW 25/29
- S1-S6 A 47/56
- Pol es 4
- S1-S6 Nm 34.5/40.1
- Volt 400
- Supply inverter
- rpm 16000
- kg 36

器材 / EQUIPMENT

- HSK 63E
- Liquid cooling
- Single effect pneumatic cylinder
- Automatic tool change (A.T.C)
- Ceramic ball bearings
- Labyrinth with air seal
- Sensors S1, S2, S3, S5
- Grease lubrication
- Taper cleaning
- Encoder 1Vpp or TTL

性能 / PERFORMANCES



选配 / OPTIONS

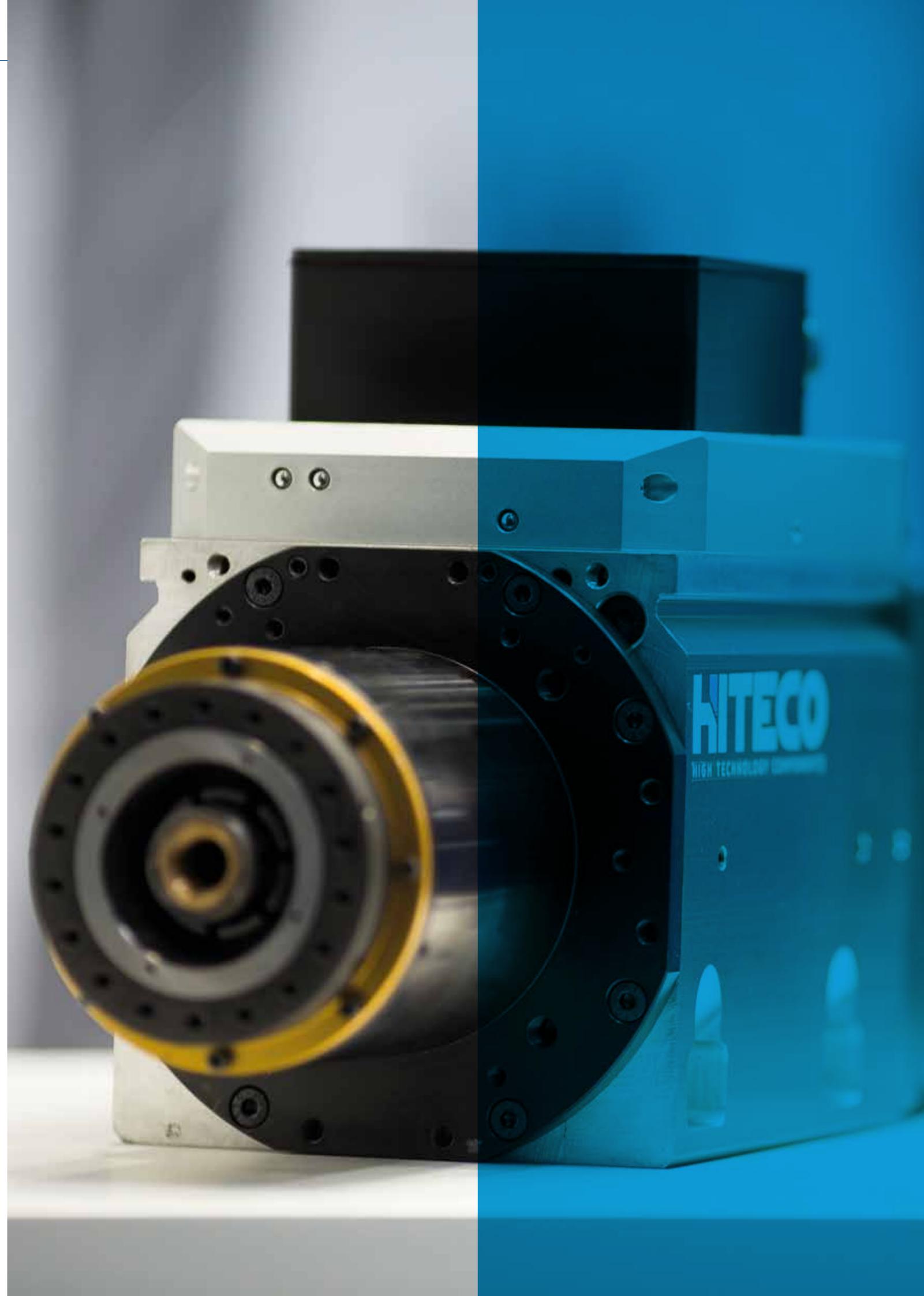


技术规格 / TECHNICAL SPECIFICATIONS

S1-S6 kW 25/29	S1-S6 A 47/56	Pol es 4
S1-S6 Nm 34.5/40.1	Volt 400	Sup ply inverter
rpm 16000	kg 36	

器材 / EQUIPMENT

HSK 63E	Liquid cooling	Single effect pneumatic cylinder	Automatic tool change (A.T.C.)
Ceramic ball bearings	Labyrinth with air seal	Sensors S1,S2,S3,S5	Grease lubrication
Taper cleaning	Encoder 1Vpp or TTL		

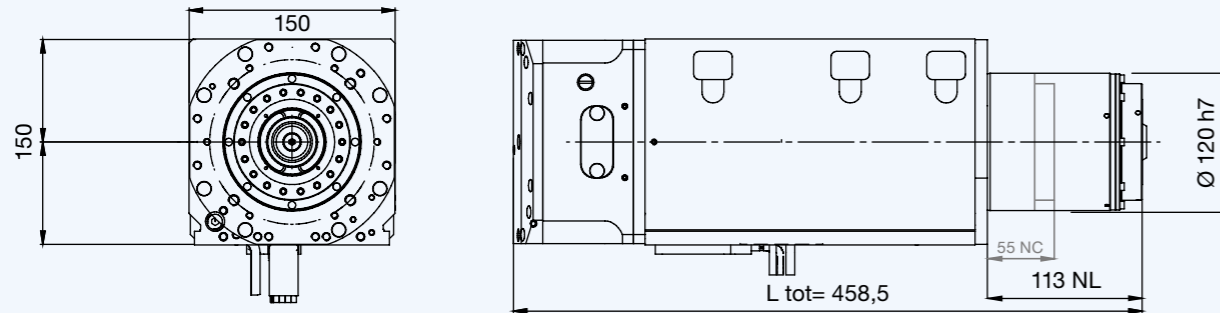


ROBOTECH HT

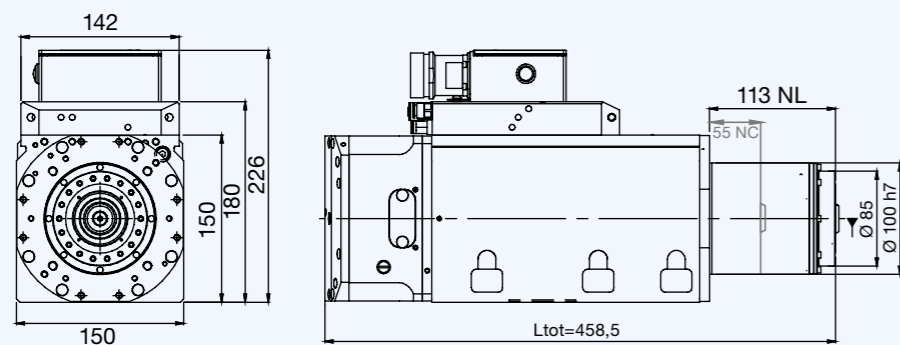
SUITABLE FOR MACHINING WOOD AND ALUMINUM
 POWER UP TO 25 KW AND HIGH TORQUES FOR HEAVY MACHINING
 OPTIMAL DESIGN FOR 3 AND 5-AXIS MACHINES
 AVAILABLE WITH ENCODER ON BOARD, LONG NOSE WITH
 3 FRONT BEARINGS, AIR TOOL, MQL AND OIL MIST
 AVAILABLE WITH HSK 63E



LAYOUT HSK 63E



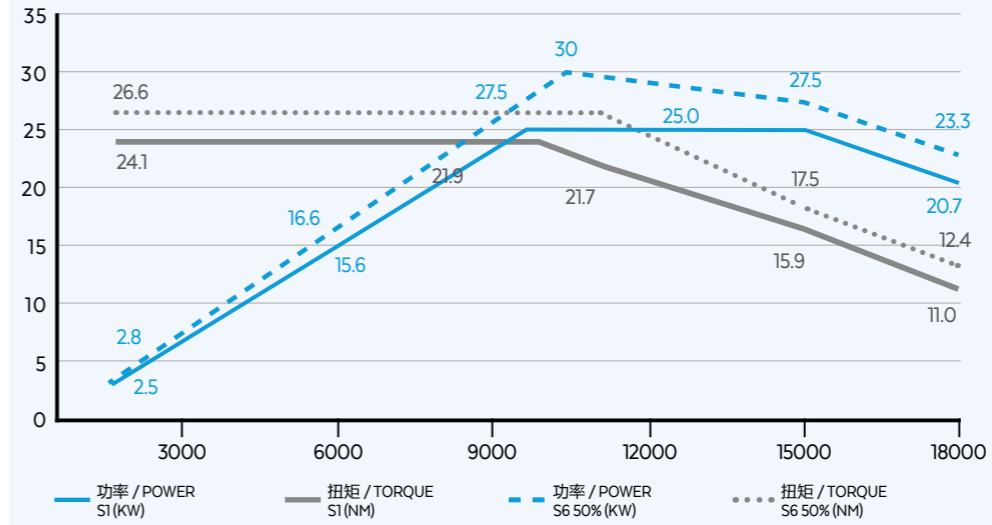
LAYOUT HSK 63E 3C



HT-2 25/10 18

SHORT NOSE

性能 / PERFORMANCES



选配 / OPTIONS

- Encoder TVpp or TTL
- Oil mist/MQL
- Circular connector cc machine side
- HSK 63E/63A
- Anti-rotation sleeves
- Bearings temperature monitoring
- Speed monitoring
- Vibration sensor
- Air tool
- Short nose

技术规格 / TECHNICAL SPECIFICATIONS

- S1-S6 kW 25/27.5
- S1-S6 Nm 24.1/26.6
- rpm 18000
- S1-S6 A 56/62
- Volt 380
- kg 42
- Pol es 4
- Supply inverter

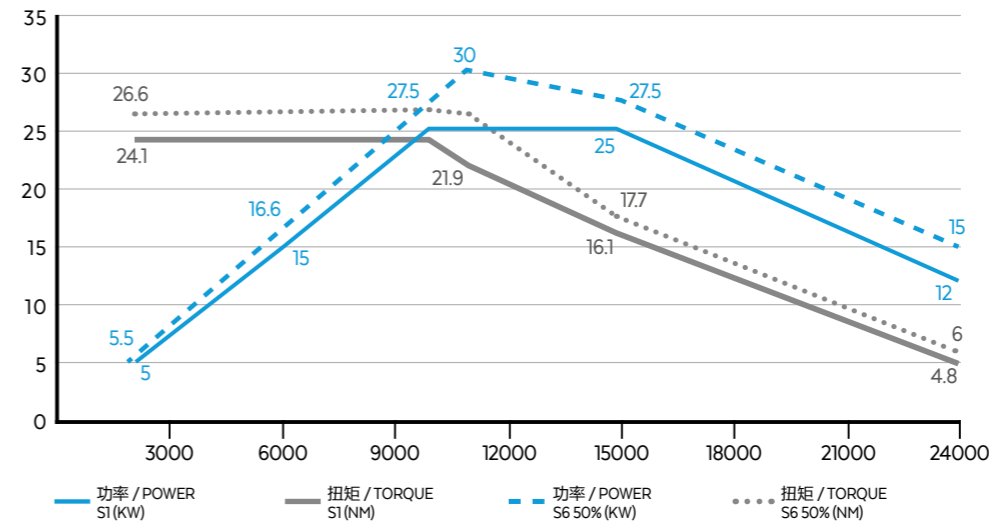
器材 / EQUIPMENT

- HSK 63F
- Ceramic ball bearings
- Circular connector cc spindle side
- Liquid cooling
- Labyrinth with air seal
- Taper cleaning
- Single effect pneumatic cylinder
- Sensors s1, s2, s3, s5
- Automatic tool change (A.T.C)
- Grease lubrication

HT-2 25/10 24

LONG NOSE

性能 / PERFORMANCES



选配 / OPTIONS

- Encoder TVpp or TTL
- Oil mist/MQL
- Circular connector cc machine side
- HSK 63E/63A
- Anti-rotation sleeves
- Bearings temperature monitoring
- Speed monitoring
- Vibration sensor
- Air tool
- Single effect pneumatic cylinder
- Sensors s1, s2, s3, s5
- Automatic tool change (A.T.C)
- Grease lubrication

技术规格 / TECHNICAL SPECIFICATIONS

- S1-S6 kW 25/30
- S1-S6 Nm 24.2/26.6
- rpm 24000
- S1-S6 A 53/60
- Volt 380
- kg 42
- Pol es 4
- Supply inverter

器材 / EQUIPMENT

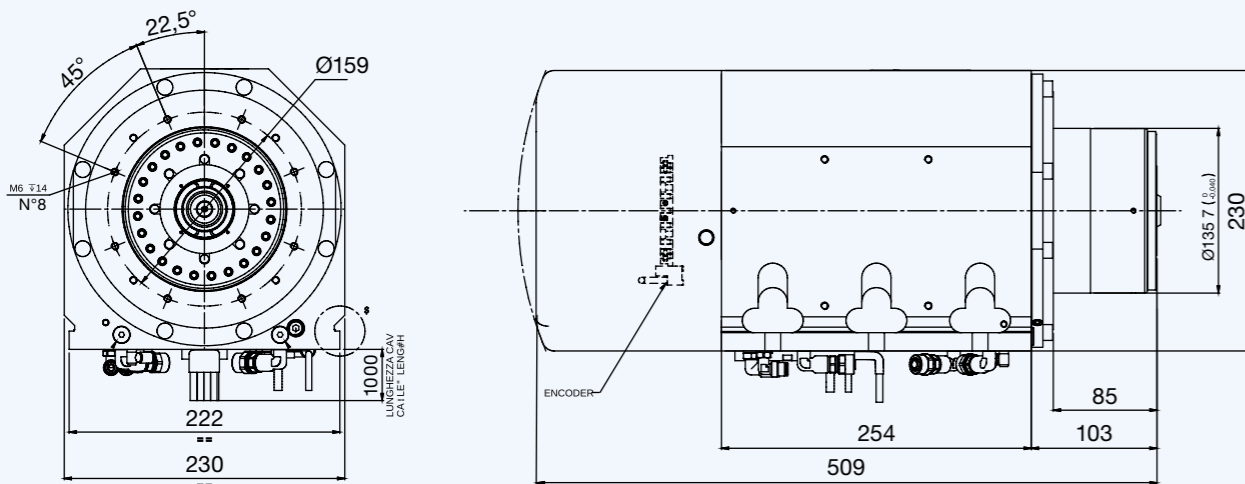
- HSK 63F
- Ceramic ball bearings
- Circular connector cc spindle side
- Liquid cooling
- Labyrinth with air seal
- Taper cleaning
- Single effect pneumatic cylinder
- Sensors s1, s2, s3, s5
- Automatic tool change (A.T.C)
- Grease lubrication

ROBOTECH QM



SUITABLE FOR INTENSE MACHINING OF WOOD, ALUMINUM AND LIGHT ALLOY
 POWER UP TO 30 KW AND HIGH TORQUES
 AVAILABLE WITH ENCODER ON BOARD, AIR TOOL, MQL AND OIL MIST
 AVAILABLE WITH HSK80F, HSK85S AND HSK63A

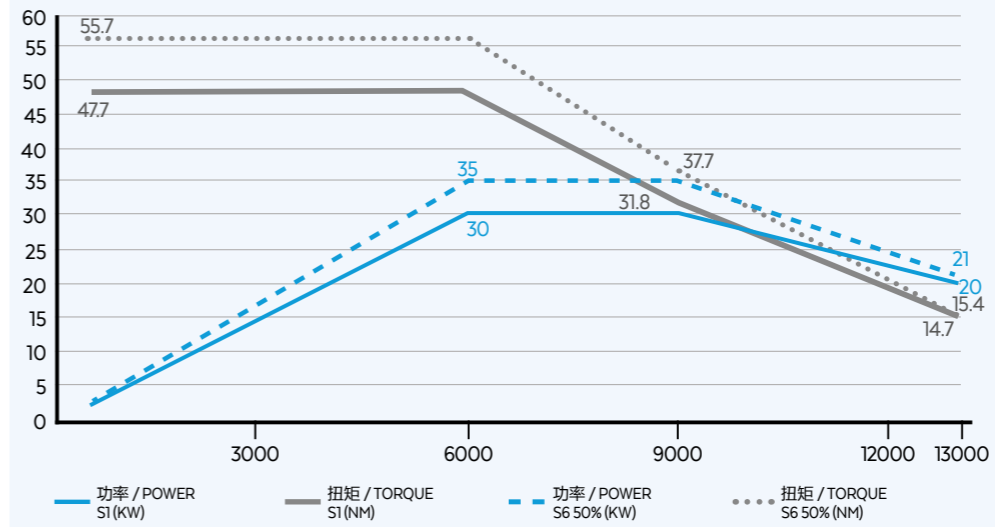
LAYOUT HSK 63A



HIGH TORQUE

QM-2 30/6 13

性能 / PERFORMANCES



选配 / OPTIONS

- Air tool
- Bearings temperature monitoring
- Sensor s5
- Speed monitoring
- Oil mist/MQL
- Vibration sensor
- HSK 80F
- HSK 85S

技术规格 / TECHNICAL SPECIFICATIONS

- 30/35
- 59/65
- 4
- 47.7/55.7
- 380
- inverter
- 13000
- 75

器材 / EQUIPMENT

- HSK 63A
- Liquid cooling
- Single effect pneumatic cylinder
- Ceramic ball bearings
- Labyrinth with air seal
- Sensors s1, s2, s3
- Taper cleaning
- Encoder 1Vpp
- Automatic tool change (A.T.C)
- Grease lubrication

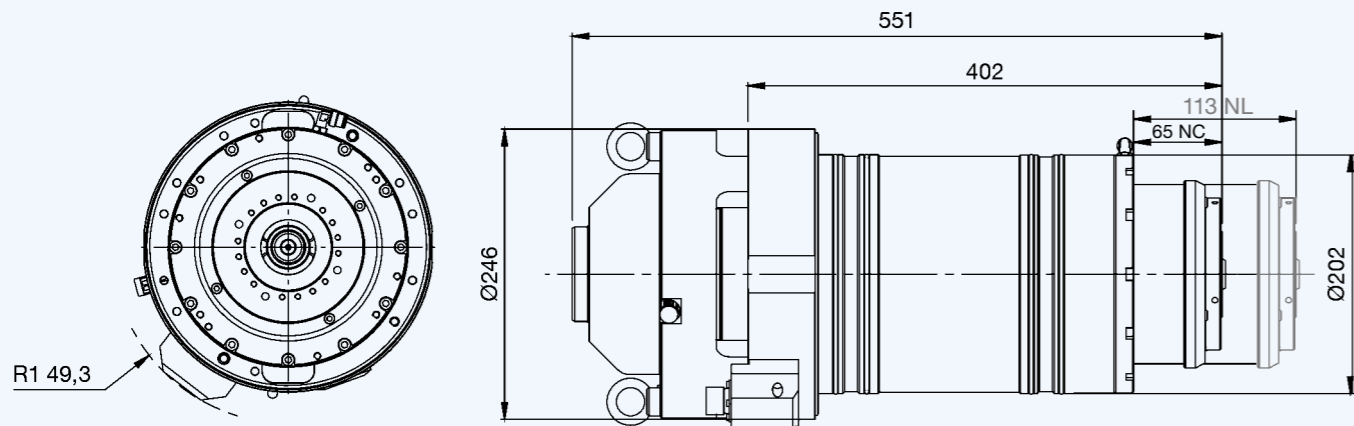


METALTECH KX



SUITABLE FOR MACHINING METAL, ALUMINUM AND LIGHT ALLOY
POWER UP TO 32 KW AND HIGH TORQUES UP TO 100 NM
FRONT BEARING COOLING CIRCUIT
AVAILABLE WITH ENCODER ON BOARD, AIR TOOL, MQL, OIL MIST AND CTS
SYNCHRONOUS SPINDLES WITH HSK 63A AND ENCODER ON BOARD

LAYOUT HSK 63A

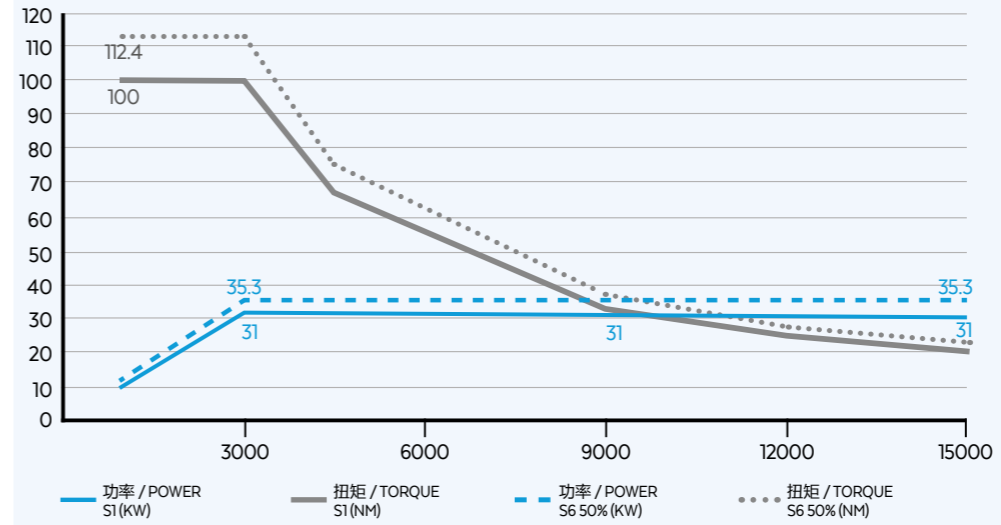


其他布局 / OTHER LAYOUTS

	ΔL	L tot
NL*	+58 mm	515 mm

KX-2 31/3 15 (SYNCHRONOUS)

性能 / PERFORMANCES



选配 / OPTIONS

- Air tool
- Water tool cooling
- Temperature sensor
- CTS lubrication
- Oil mist/MQL

技术规格 / TECHNICAL SPECIFICATIONS

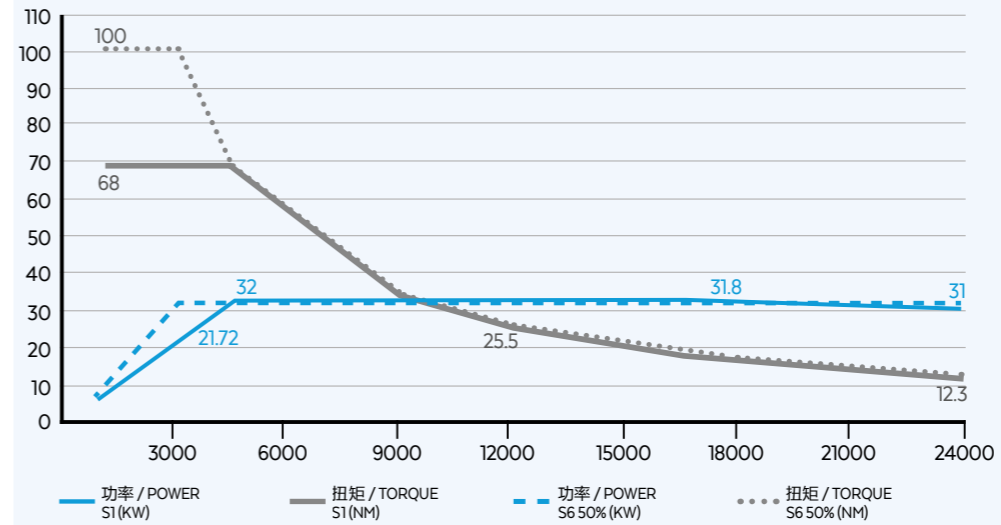
- Power: 31/35.3 kW
- Torque: 73/113 Nm
- Speed: 15000 rpm
- Voltage: 400 Volt
- Weight: 100 kg
- Pol es: 4
- Supply: inverter

器材 / EQUIPMENT

- HSK 63A
- Ceramic ball bearings
- Encoder 1Vpp
- Liquid cooling
- Labyrinth with air seal
- Taper cleaning
- Single effect pneumatic cylinder
- Sensors s1, s2
- Automatic tool change (A.T.C)
- Grease lubrication

KX-2 32/4.5 24 (SYNCHRONOUS)

性能 / PERFORMANCES



选配 / OPTIONS

- Air tool
- Water tool cooling
- Temperature sensor
- CTS lubrication
- Oil mist/MQL
- Long nose

技术规格 / TECHNICAL SPECIFICATIONS

- Power: 32/32 kW
- Torque: 68/100 Nm
- Speed: 24000 rpm
- Voltage: 400 Volt
- Weight: 100 kg
- Pol es: 4
- Supply: inverter

器材 / EQUIPMENT

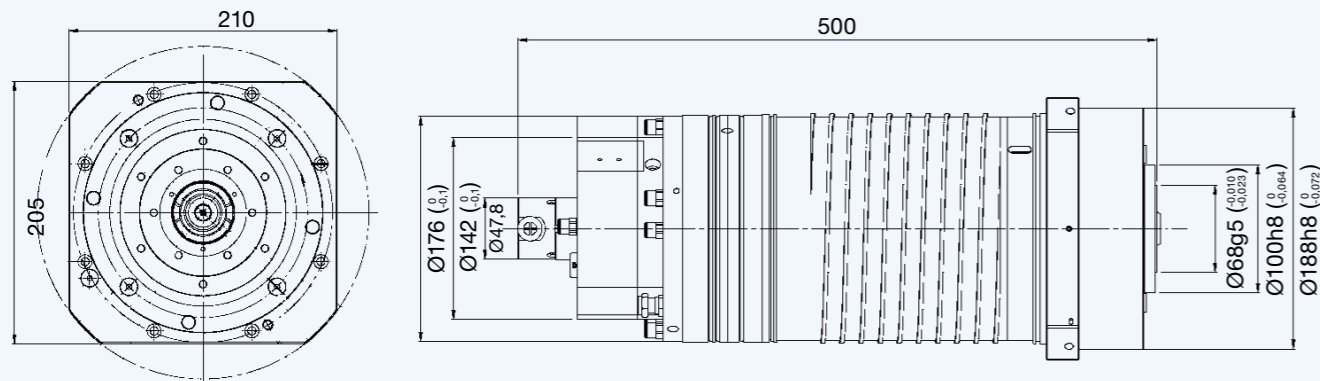
- HSK 63A
- Ceramic ball bearings
- Encoder 1Vpp
- Liquid cooling
- Labyrinth with air seal
- Taper cleaning
- Single effect pneumatic cylinder
- Sensors s1, s2
- Automatic tool change (A.T.C)
- Grease lubrication

METALTECH MX



SUITABLE FOR MACHINING METAL, ALUMINUM AND LIGHT ALLOY
POWER UP TO 42 KW AND HIGH TORQUES UP TO 67 NM
FRONT BEARING COOLING CIRCUIT
AVAILABLE WITH ENCODER ON BOARD, AIR TOOL, MQL, OIL MIST AND CTS
SYNCHRONOUS SPINDLES WITH HSK 63A AND ENCODER ON BOARD

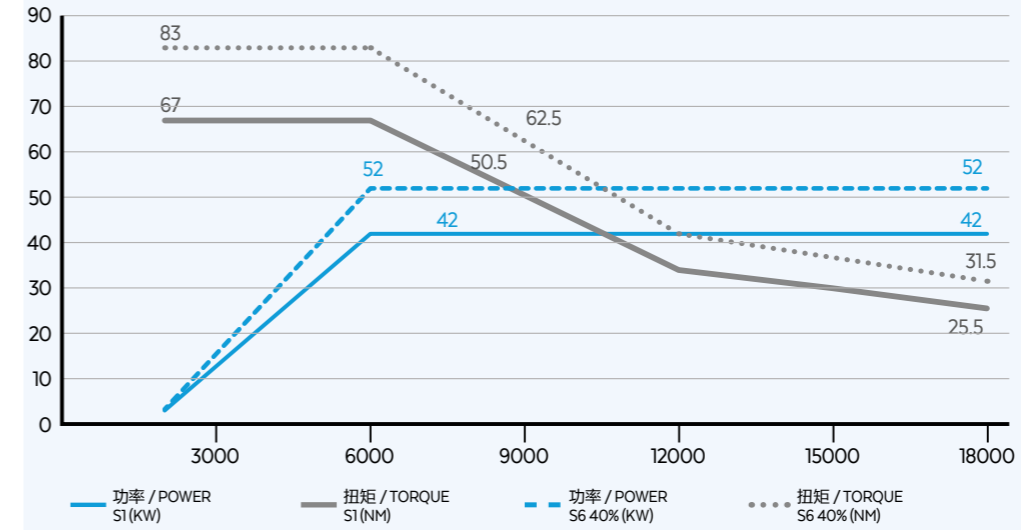
LAYOUT HSK 63A



MX 42/6 18 63A SYNCHRONOUS

HIGH TORQUE

性能 / PERFORMANCES



选配 / OPTIONS

- Air tool
- Water tool cooling
- Temperature sensor
- CTS lubrication
- Oil mist/MQL
- Axial shaft displacement sensor
- Bearings temperature monitoring
- Speed monitoring
- Vibration sensor
- Sensor s5
- Taper cleaning

技术规格 / TECHNICAL SPECIFICATIONS

- S1-S6 kW 42/52
- S1-S6 Nm 67/83
- S1-S6 rpm 18000
- S1-S6 A 120/148
- Volt 460
- kg 70
- Pol es 4
- Supply inverter

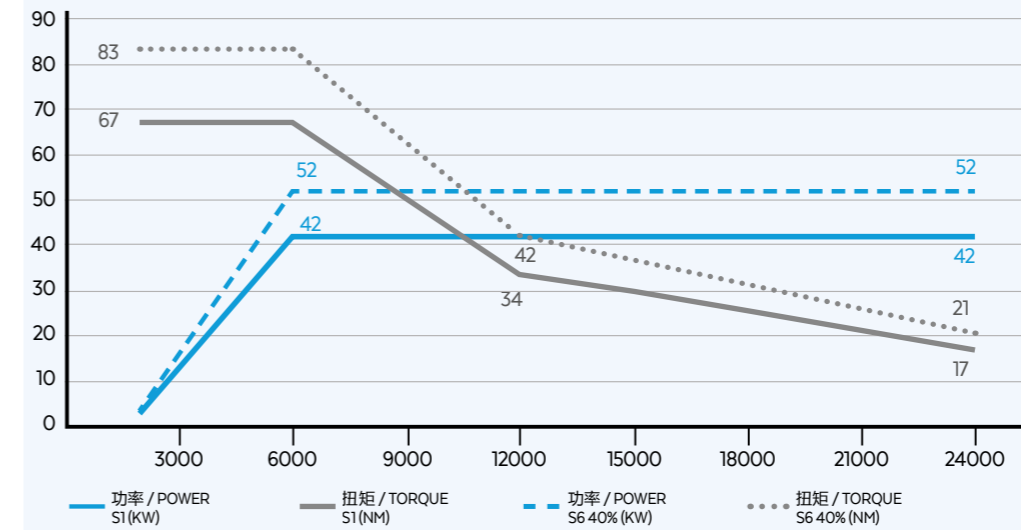
器材 / EQUIPMENT

- HSK 63A
- Ceramic ball bearings
- Encoder TVpp
- Liquid cooling
- Labyrinth with air seal
- Grease lubrication
- Single effect hydraulic cylinder
- Sensors s1, s2
- Automatic tool change (A.T.C)

MX 42/6 24 63A SYNCHRONOUS

HIGH TORQUE

性能 / PERFORMANCES



选配 / OPTIONS

- Air tool
- Water tool cooling
- Temperature sensor
- CTS lubrication
- Oil mist/MQL
- Axial shaft displacement sensor
- Bearings temperature monitoring
- Speed monitoring
- Vibration sensor
- Sensor s5
- Taper cleaning

技术规格 / TECHNICAL SPECIFICATIONS

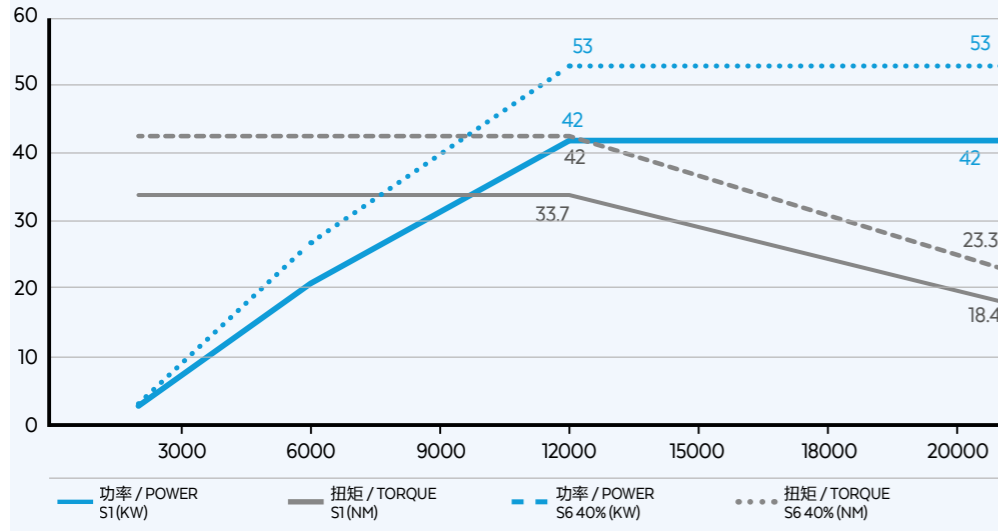
- S1-S6 kW 42/52
- S1-S6 Nm 67/83
- S1-S6 rpm 24000
- S1-S6 A 120/148
- Volt 380
- kg 70
- Pol es 4
- Supply inverter

器材 / EQUIPMENT

- HSK 63A
- Ceramic ball bearings
- Encoder TVpp
- Liquid cooling
- Labyrinth with air seal
- Oil lubrication
- single effect hydraulic cylinder
- Sensors s1, s2
- Automatic tool change (A.T.C)

MX 42/12 20 63A

性能 / PERFORMANCES



选配 / OPTIONS

- Air tool
- Water tool cooling
- Temperature sensor
- CTS lubrication
- Oil mist/MQL
- Axial shaft displacement sensor
- Bearings temperature monitoring
- Speed monitoring
- Vibration sensor
- Sensor s5
- Taper cleaning

技术规格 / TECHNICAL SPECIFICATIONS

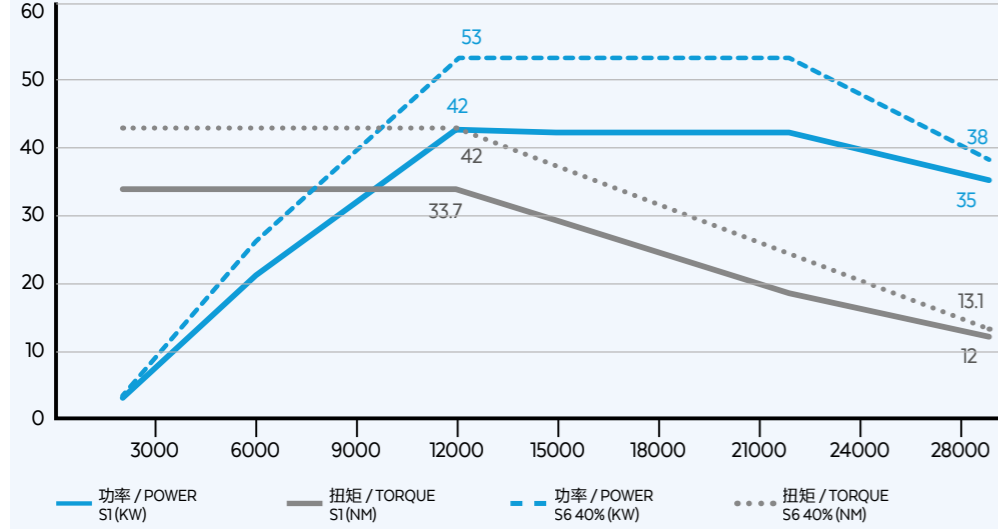
- Power: 42/53 kW
- Current: 96/112 A
- Speed: 20000 rpm
- Weight: 70 kg
- Supply: 6 poles inverter
- Voltage: 380 Volt

器材 / EQUIPMENT

- HSK 63A
- Liquid cooling
- Single effect hydraulic cylinder
- Automatic tool change (A.T.C)
- Ceramic ball bearings
- Labyrinth with air seal
- Sensors s1, s2
- Encoder 1Vpp
- Grease lubrication

MX 42/12 28 63A

性能 / PERFORMANCES



选配 / OPTIONS

- Air tool
- Water tool cooling
- Temperature sensor
- CTS lubrication
- Oil mist/MQL
- Axial shaft displacement sensor
- Bearings temperature monitoring
- Speed monitoring
- Vibration sensor
- Sensor s5
- Taper cleaning

技术规格 / TECHNICAL SPECIFICATIONS

- Power: 42/53 kW
- Current: 120/148 A
- Speed: 28000 rpm
- Weight: 70 kg
- Supply: 6 poles inverter
- Voltage: 380 Volt

器材 / EQUIPMENT

- HSK 63A
- Liquid cooling
- Single effect hydraulic cylinder
- Automatic tool change (A.T.C)
- Ceramic ball bearings
- Labyrinth with air seal
- Sensors s1, s2
- Encoder 1Vpp
- Oil lubrication

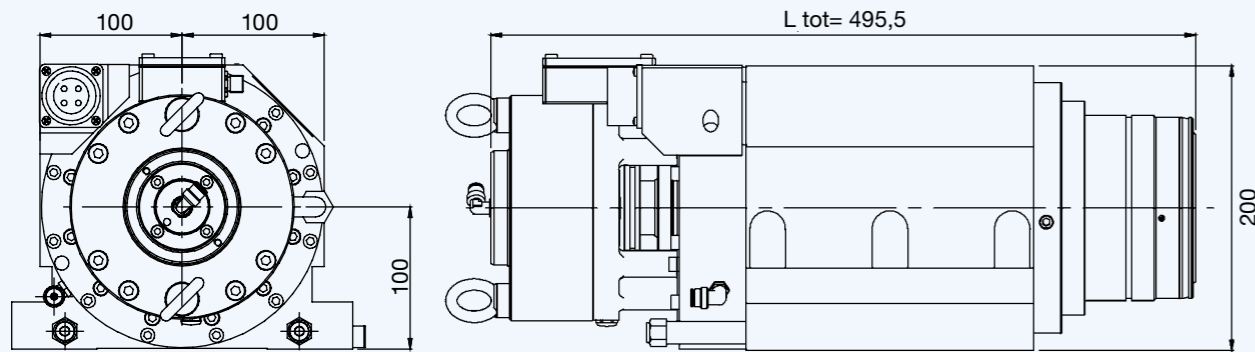


STONETECH MG



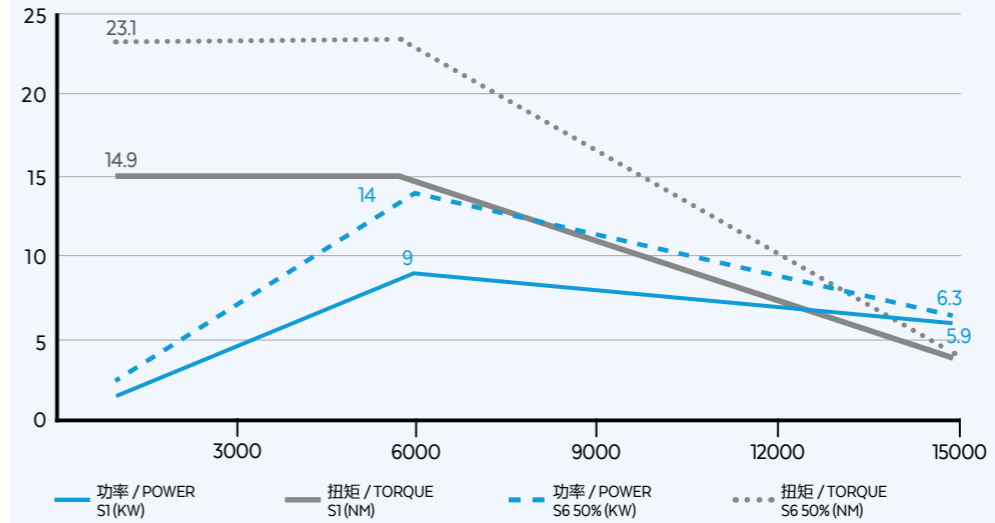
SUITABLE FOR MACHINING GLASS AND MARBLE AND STONE
POWER UP TO 30 KW AND HIGH TORQUES UP TO 39 NM
AVAILABLE WITH CASE AND CTS
ISO 40 TAPER

LAYOUT ISO 40



MG-2 9/6 15

性能 / PERFORMANCES



选配 / OPTIONS

- CTS lubrication
- Air tool
- Water tool cooling

技术规格 / TECHNICAL SPECIFICATIONS

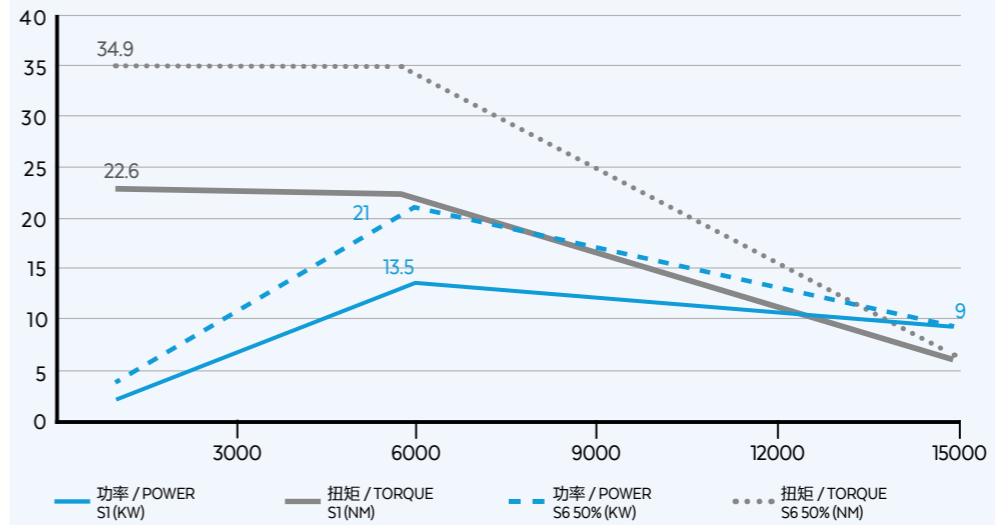
- S1-S6 kW 9/14
- S1-S6 A 24/33
- Pol es 4
- S1-S6 Nm 14.9/23.1
- Volt 380
- Supply inverter
- rpm 15000
- kg 90

器材 / EQUIPMENT

- ISO 40
- Liquid cooling
- Single effect cylinder
- Automatic tool change (A.T.C)
- Ceramic ball bearings
- Labyrinth with air seal
- Sensors s1, s2
- Grease lubrication
- Taper cleaning

MG-2 13.5/6 15

性能 / PERFORMANCES



选配 / OPTIONS

- CTS lubrication
- Air tool
- Water tool cooling

技术规格 / TECHNICAL SPECIFICATIONS

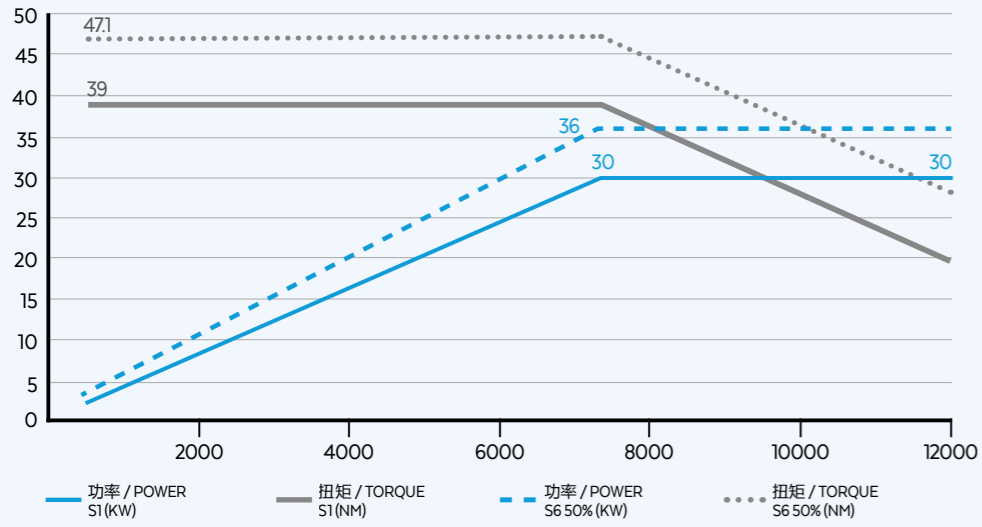
- S1-S6 kW 13.5/21
- S1-S6 A 32/34.9
- Pol es 4
- S1-S6 Nm 22.6/34.9
- Volt 380
- Supply inverter
- rpm 15000
- kg 90

器材 / EQUIPMENT

- ISO 40
- Liquid cooling
- Single effect cylinder
- Automatic tool change (A.T.C)
- Ceramic ball bearings
- Labyrinth with air seal
- Sensors s1, s2
- Grease lubrication
- Taper cleaning

MG 30/7.5 12

性能 / PERFORMANCES



选配 / OPTIONS

- CTS Lubrication
- Air tool
- Water tool cooling

技术规格 / TECHNICAL SPECIFICATIONS

- S1-S6 kW** 30/36
- S1-S6 A** 66/78
- Pol es** 4
- S1-S6 Nm** 39/47.1
- Volt** 380
- Supply** inverter
- rpm** 12000
- kg** 73

器材 / EQUIPMENT

- ISO 40
- Liquid cooling
- Single effect cylinder
- Automatic tool change (A.T.C)
- Ceramic ball bearings
- Labyrinth with air seal
- Sensors s1, s2
- Grease lubrication
- Taper cleaning



C-AXIS FOR POWERTECH 300-400



短鼻罗盘 (NC), 配3个气动连接, 配Yaskawa伺服电机
Compass Short Nose (NC) with 3 pneumatic connections With Yaskawa servo-motor

长鼻罗盘 (NL), 配3个气动连接, 配Yaskawa伺服电机
Compass Long Nose (NL) with 3 pneumatic connections With Yaskawa servo-motor

选配 / OPTIONS

可提供不含伺服电机的型号
Available without servomotor

刀架锥体 TOOL HOLDER



Tool holder 刀架锥体	HSK63F ER 32 M40X1.5_DX
Tool holder 刀架锥体	ISO30 ER 32 M40X1.5_DX
Tool holder 刀架锥体	HSK 63A ER 32 M40X1.5_DX

关于其他类型的刀架钳, 请联系Hiteco工作人员
For other tool holder types, please contact Hiteco staff

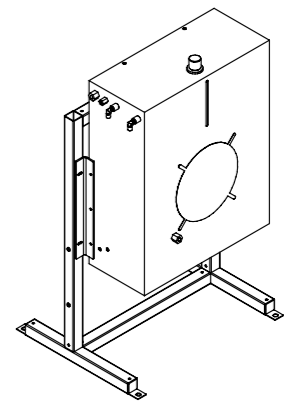
刀架钳 TOOL FINGER



Tool finger 刀架钳	HSK 63F
Tool finger 刀架钳	ISO 30
Tool finger 刀架钳	HSK 63A

关于其他类型的刀架钳, 请联系Hiteco工作人员
For other tool finger sizes, please contact Hiteco staff

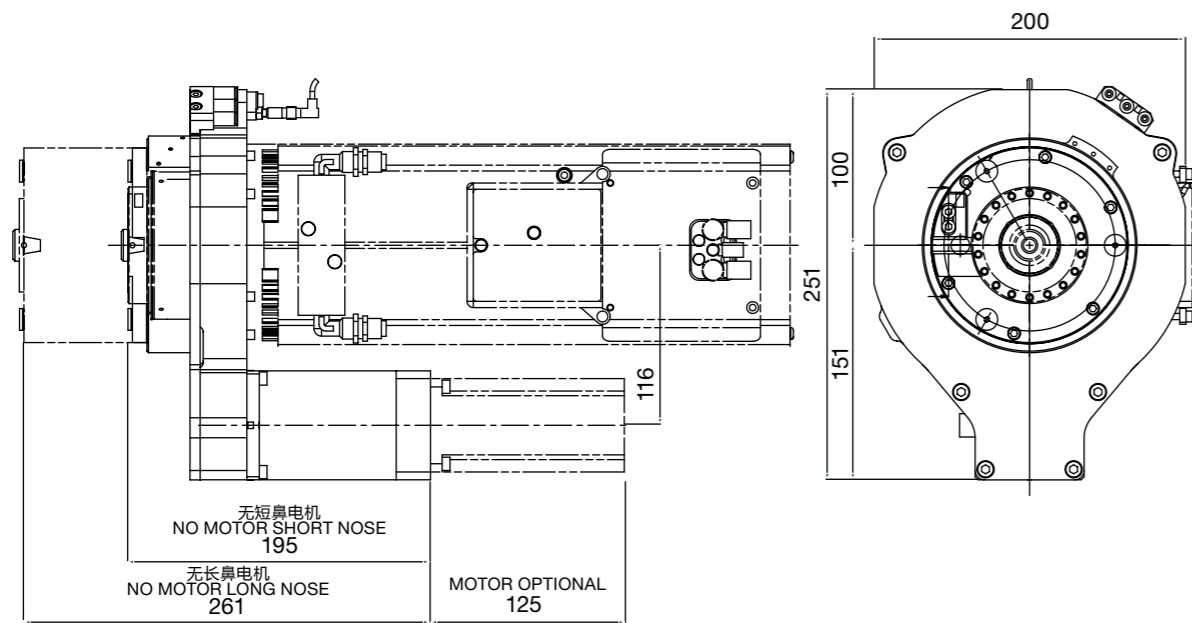
换热器 HEAT EXCHANGER



冷却功率 Cooling power	5000 W with liquid temperature +40°, air temperature +20°C
液体流量 Liquid flow	4 lt/min at 5,5 bar
槽容量 Tank capacity	5 lt

选配 / OPTIONS

可提供无支架和软管的版本
Available without support and flexible hoses



防转衬套 ANTI-ROTATION SLEEVES



用于PT200的防转衬套: 2个位置, 无气动连接
Anti-rotation sleeve for PT 200: 2 positions Without pneumatic connections

用于PT250的防转衬套: 2个位置, 配或不配气动连接
Anti-rotation sleeves for PT 250: 2 positions With or without pneumatic connections

用于PT300-400的防转衬套: 2个位置, 有短鼻和长鼻版本 (NC和NL), 配或不配气动连接
Anti-rotation sleeves for PT 300-400: 2 positions Available with Short and Long Nose (NC and NL) With or without pneumatic connections

用于5轴主轴的防转衬套 (配1个气动连接)
Anti-rotation sleeves for 5-axis spindles With 1 pneumatic connection



